












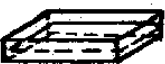







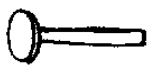
























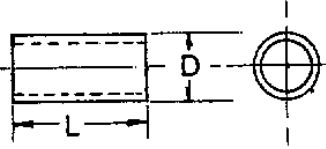
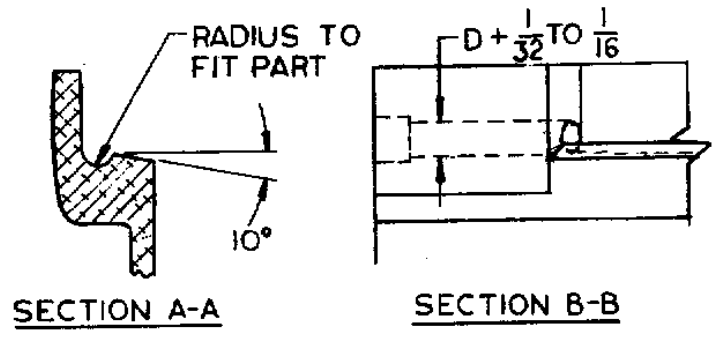
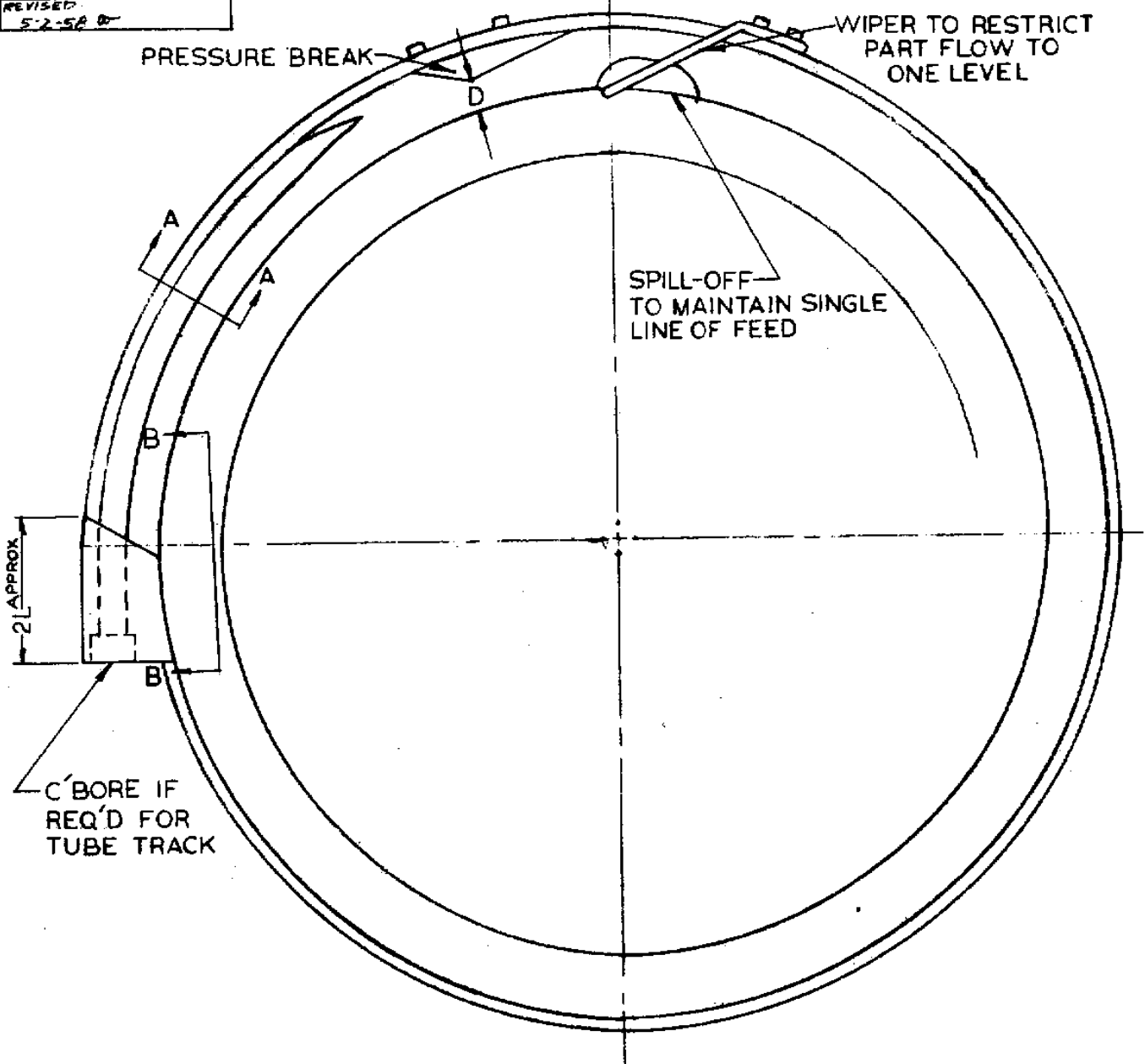


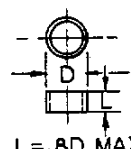
Index to Feeder Design Specifications

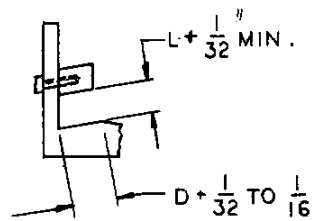
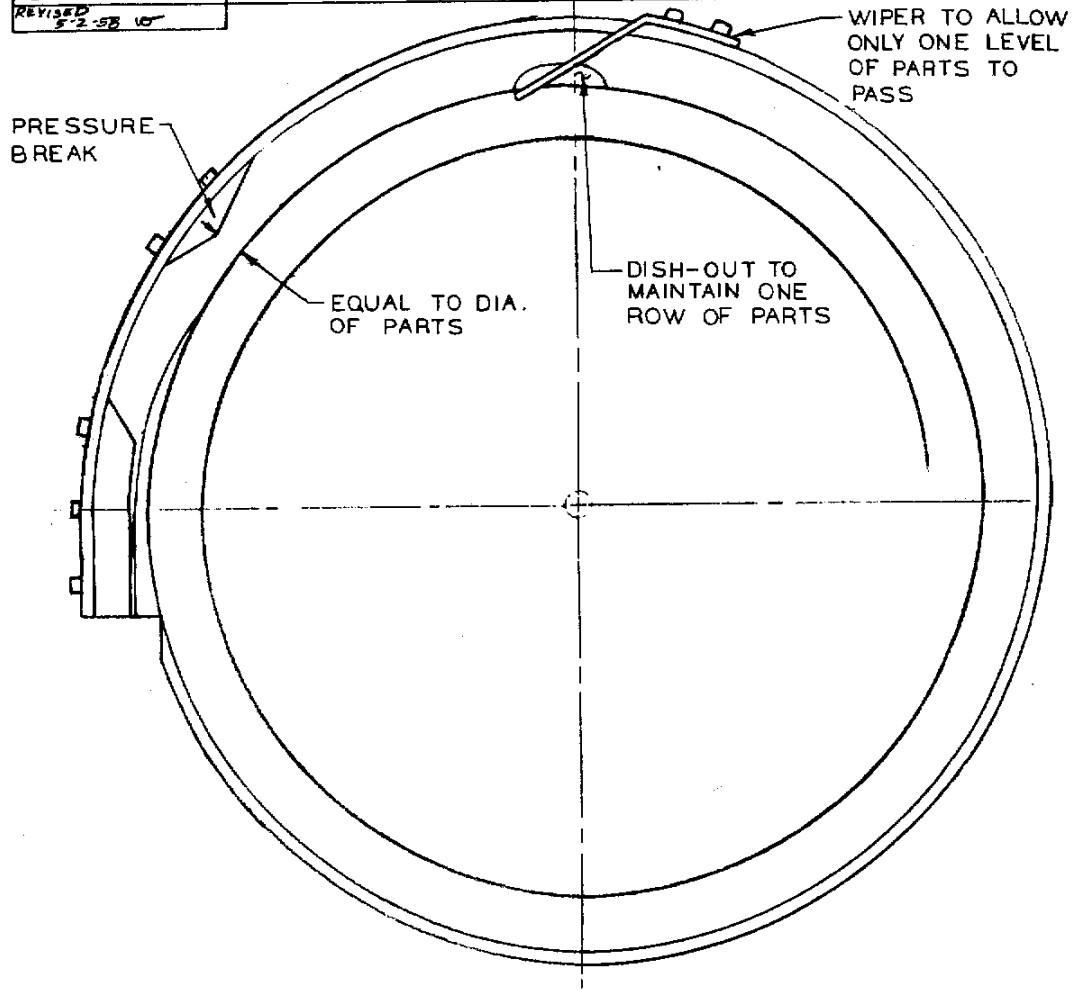
Case No.	Description	
1	Cylindrical Part - length greater than diameter	
2	Cylindrical Part - length less than diameter	
3	Cylindrical Part - length equals diameter	
4	Discs and flat washers	
5	Headed Parts	
6	Rectangular Part	
7	Angle stampings	
8	Formed metal part - Walls not equally thick	
9	Horseshoes	
10	Pointed parts with large heads	
11	Headed part or shell - body weight slightly greater than head weight - part may not hang.	
12	Cup on scallops	
13	Parts having a groove on one face - Method #1	
14	Formed metal cup	
15	Headed parts with short body - Retaining by form	
16	Dish shaped parts	
17	Slotted parts	
18	Strips with projection at one end	
19	Formed metal flanged cups	
20	Pointed parts feeding point leading	
21	Pointed pins feeding point trailing	
22	Headed pins feeding head first	
23	Headed pins feeding body first	

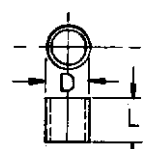
24	Electronic detection of metals	
25	Photo-electric detection of surface finish or color	
26	Very thin discs or washers	
27	Selection by fine dimple on end of part	
28	Shallow dished blanks and stampings	
29	Stacking flat washers and discs	
30	Stacking flat washers and discs to a height	
31	Orienting by center of gravity	
32	Irregular flat parts	
33	Parts with prongs or tabs	
34	Part with projecting pins	
35	Tapered parts	
36	Elbows	
37	Lock washer	
38	Parts having a groove on one face - Method #2	
39	Rectangular parts with offset key	
40	Very thin discs	
41	Rectangular "U" shaped parts	
42	Flat parts with raised center on one side	
43	Irregular shaped flat parts	
44	Transistors in hi-negative bowl	
45	Stacked bowls	
46	Pin length greater than diameter	
47	Pin-minimum length is three times diameter	
48	Headed pins with extra long bodies	
49	Pin with length greater than diameter	

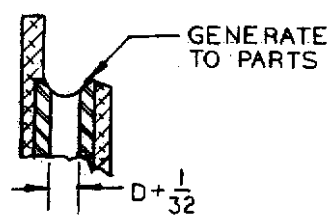
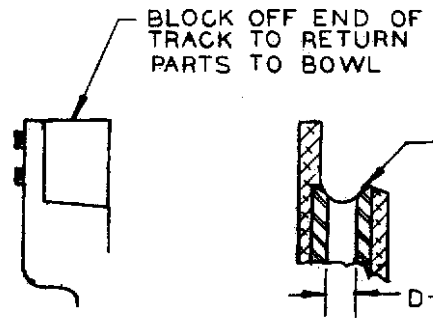
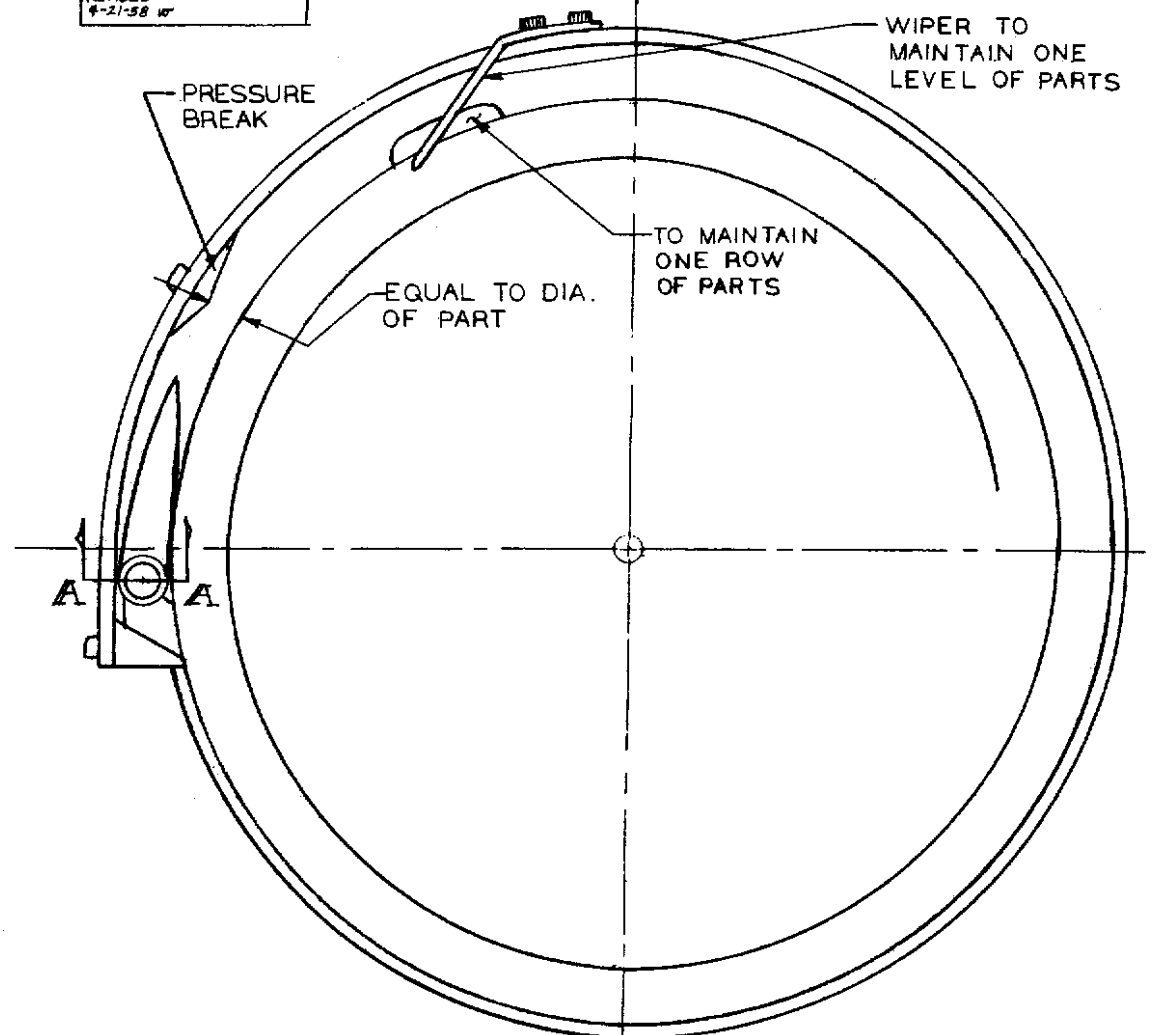
VIBRATORY FEEDER COMPANY AUTOMATION PARK, BOX AD FAIRVIEW, PA. 16415 PHONE 814/474-5561		CASE NO. 1	$L = D \times 1.2 \text{ MIN.}$ 
DWN R.L.L. DATE 6/4/56 CHK'D W DATE 6-23-56	SCALE ~ SK.NO. 2004	CYLINDERS LENGTH GREATER THAN DIAMETER PART BEING FED	
REVISED 5-2-56			



VIBRATORY FEEDER COMPANY AUTOMATION PARK, BOX AD FAIRVIEW, PA. 16415 PHONE 814/474-5561		CASE NO. 2	 $L = .8D \text{ MAX.}$ PART BEING FED
DWN R.L.L. DATE 6/4/58 CHK'D ✓ DATE 6-7-56 REVISED 5-2-58 ✓	SCALE ~ SK.NO.2005	CYLINDERS LENGTH LESS THAN DIAMETER	



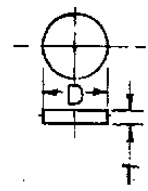
VIBRATORY FEEDER COMPANY AUTOMATION PARK, BOX AD FAIRVIEW, PA. 16415 PHONE 814/474-5561		CASE NO. 3	 $L = D \pm 20\%$ PART BEING FED
DWN R.L.L. DATE 6/4/56 CHK'D W DATE 6-7-56 <small>REVISED 4-21-58 W</small>	SCALE ~ SK. NO. 2006	CYLINDERS LENGTH EQUALS DIAMETER	



SECTION A~A

VIBRATORY FEEDER COMPANY
 AUTOMATION PARK, BOX AD
 FAIRVIEW, PA, 16415
 PHONE 814/474-5561

CASE NO.
4

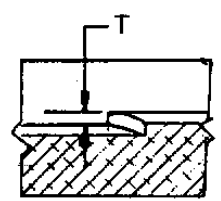
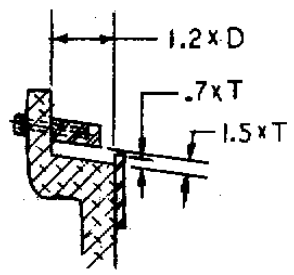
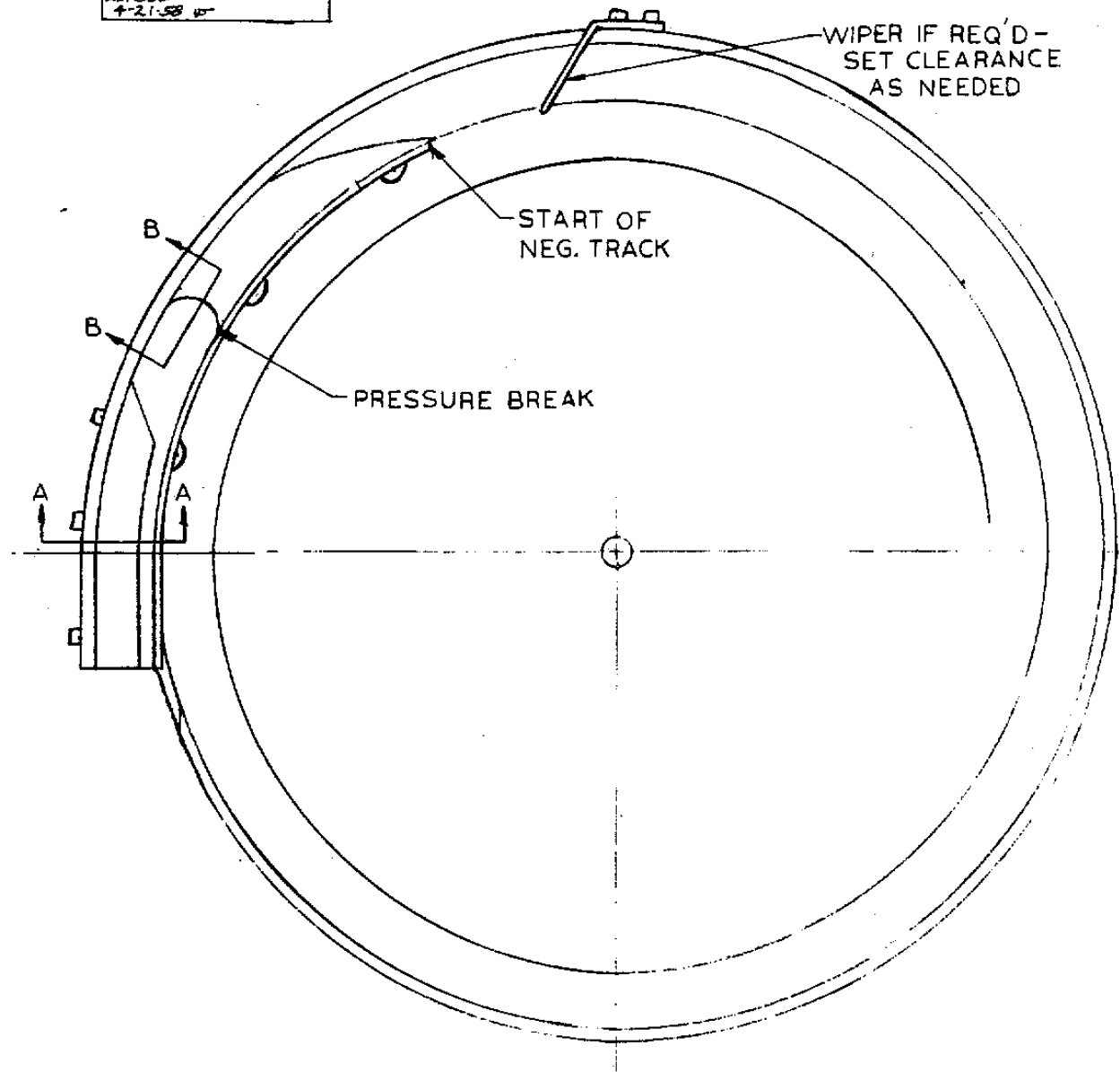


DWN R.L.L.
 DATE 6/4/56
 CHK'D W
 DATE 6-7-56
 REVISED
 4-21-58 W

SCALE ~
 SK.NO. 2007

DISCS AND
 FLAT WASHERS

PART BEING FED

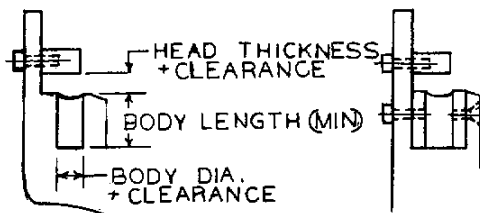
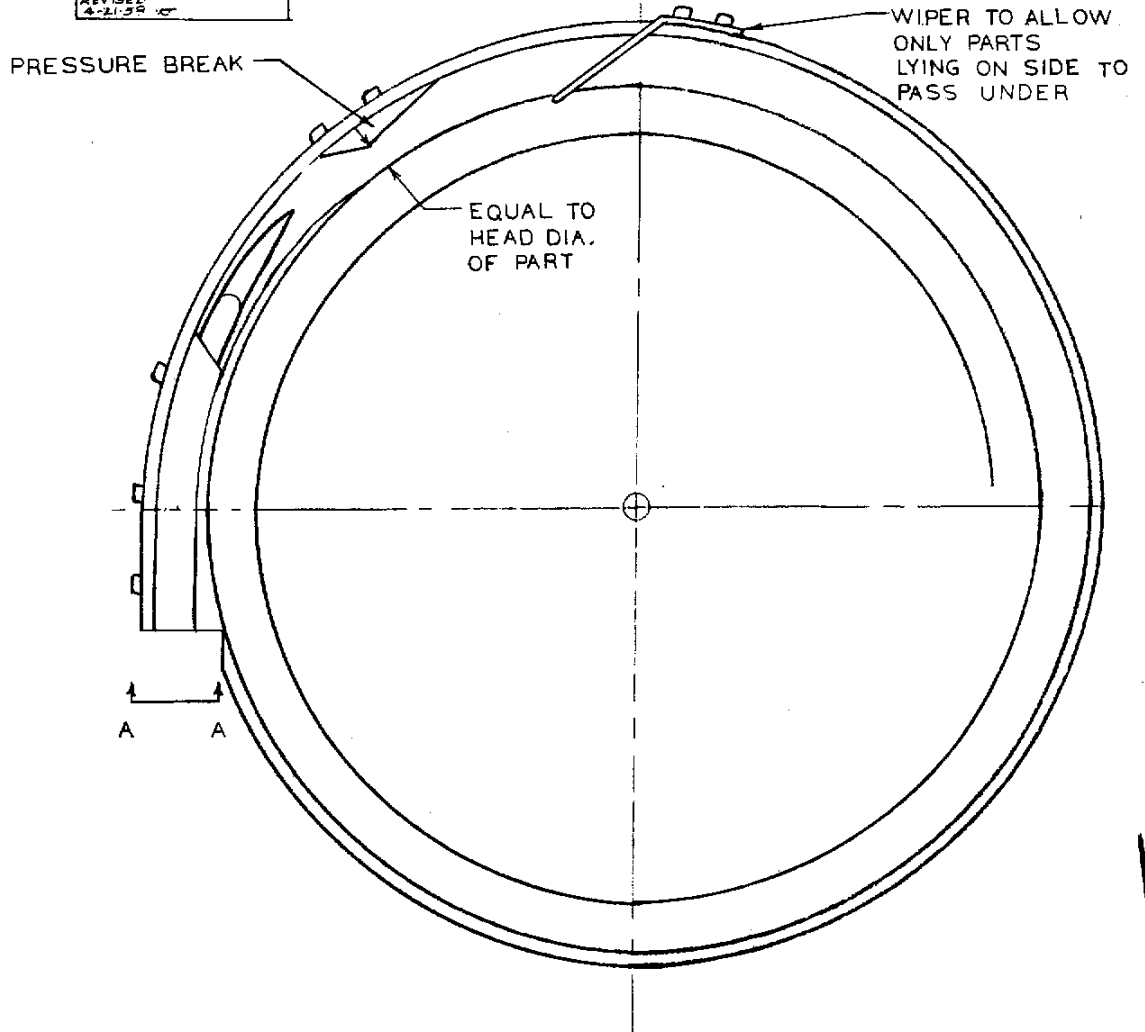


SECTION A-A

SECTION B-B

© 1966 BY VIBRATORY FEEDER CO.
 A DIVISION OF
 AUTOMATION DEVICES, INC.

VIBRATORY FEEDER CO. AUTOMATION PARK, BOX AD FAIRVIEW, PA. 16415 PHONE 814/474-5561		CASE NO. 5	
DWN R.L.L. DATE 6/4/56 CHK'D W DATE 6-7-56 <small>REVISED 4-21-55</small>	SCALE ~ SK NO 2008	HEADED PART	PART FED



VIEW A-A

ALT. VIEW A-A
 USE IF PART
 CAUSES GREAT
 AMOUNT OF WEAR

© 1966 BY VIBRATORY FEEDER CO.
 A DIVISION OF
 AUTOMATION DEVICES, INC.

VIBRATORY FEEDER CO.

AUTOMATION PARK, BOX A.D.

FAIRVIEW, PA. 16415

PHONE 814/474-5561

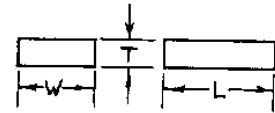
CASE NO

6

DWN R.L.L.
 DATE 6/4/56
 CKD W
 DATE 6-7-56

SCALE ~
 SK NO 2009

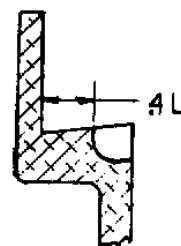
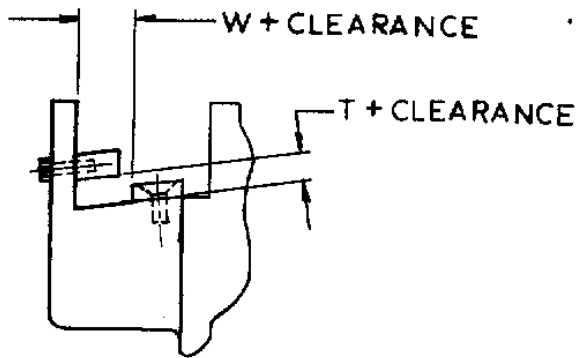
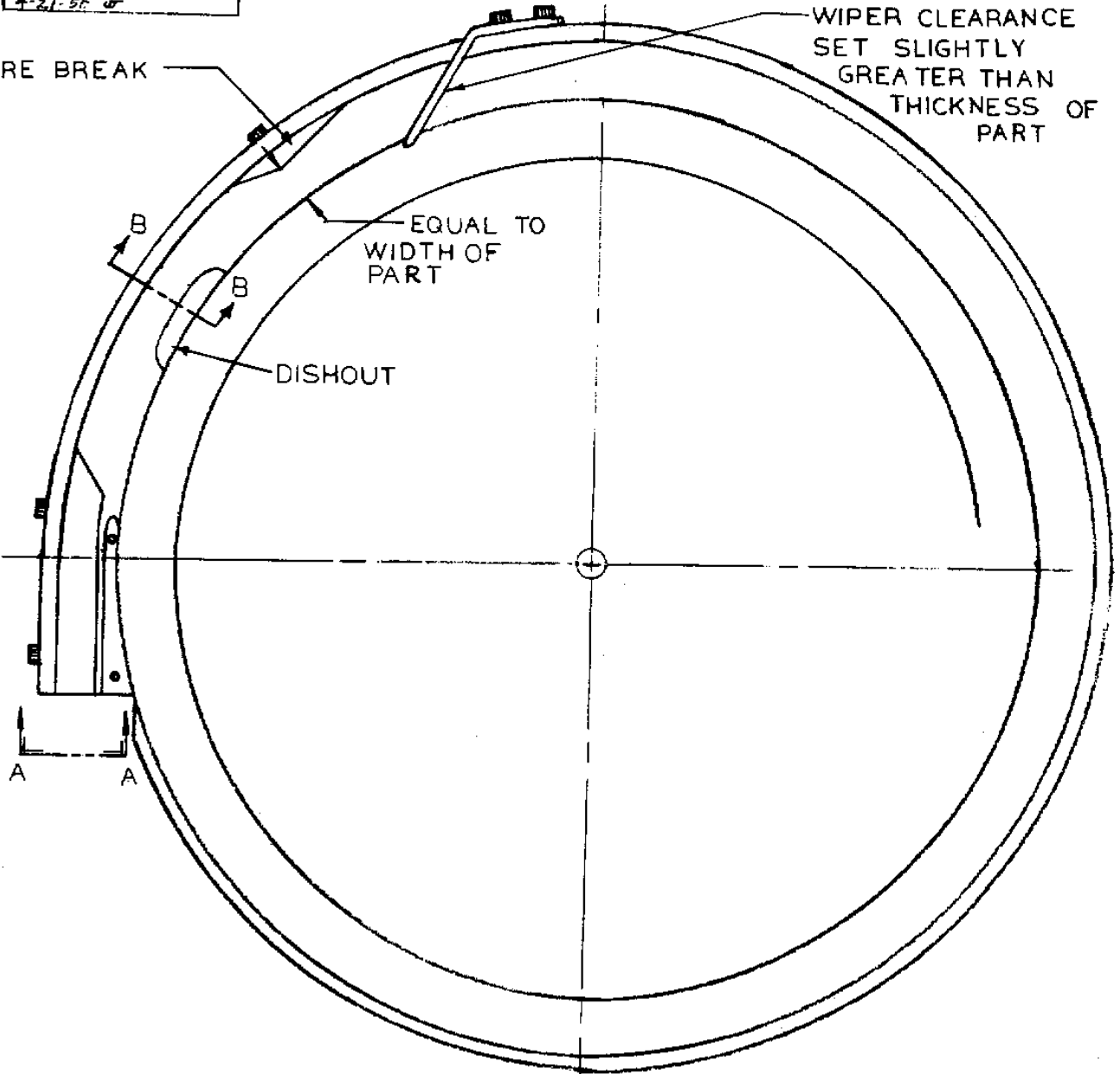
RECTANGULAR
 PART



PART FED

PRESSURE BREAK

WIPER CLEARANCE
 SET SLIGHTLY
 GREATER THAN
 THICKNESS OF
 PART



VIEW A-A

SECTION B-B

VIBRATORY FEEDER CO.

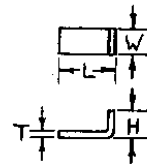
AUTOMATION PARK, BOX AD

FAIRVIEW, PA. 16415

PHONE 814/474-5561

CASE NO

7



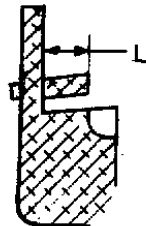
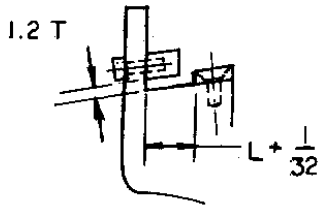
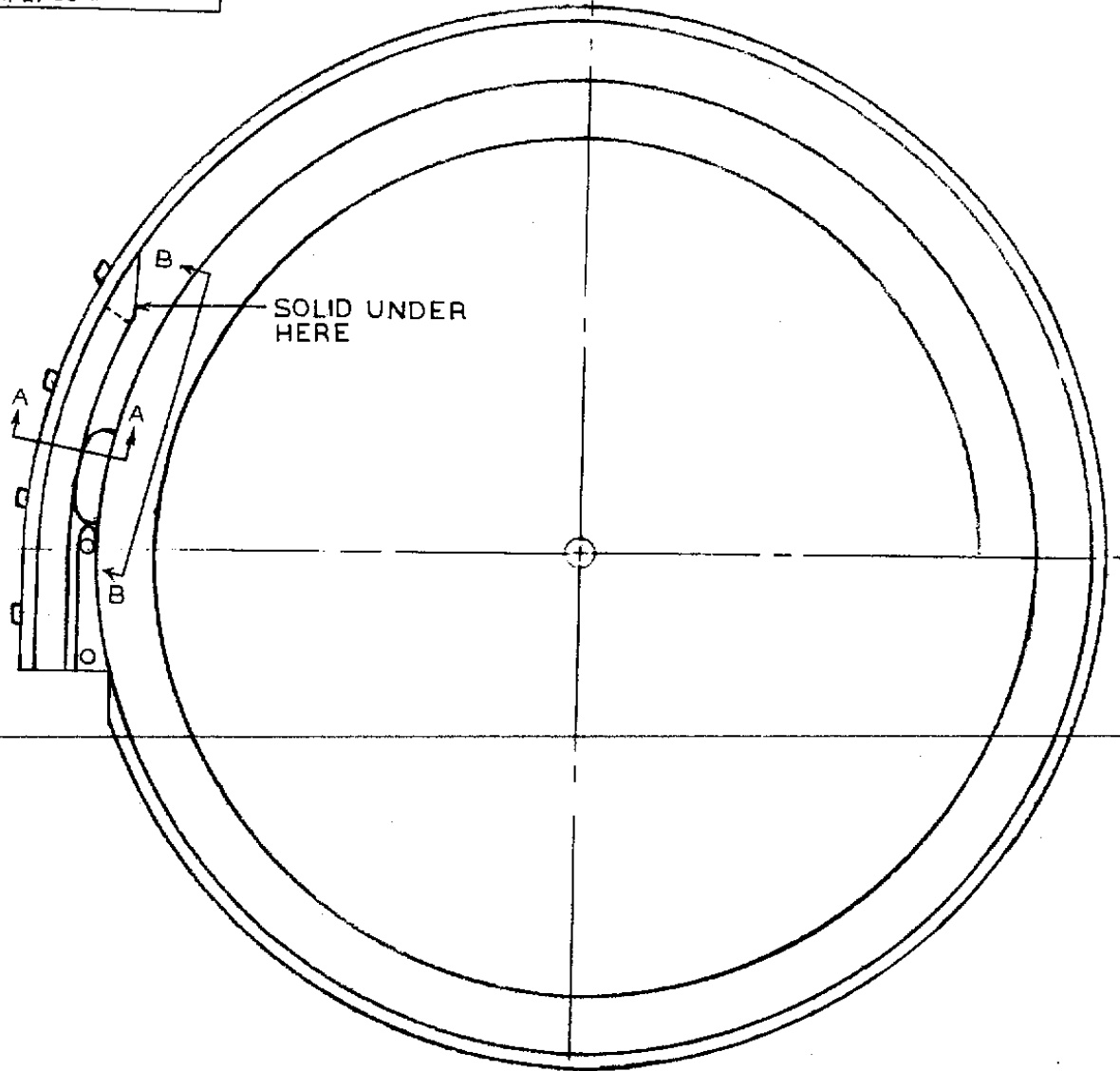
PART NO

DWN R.L.L.
 DATE 6-4-56
 CHKD W
 DATE 6-7-56
 REVISED 4-21-58 W

SCALE ~

ANGLE STAMPING

SK NO 2010

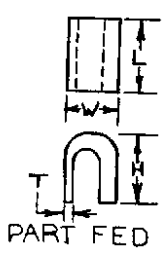


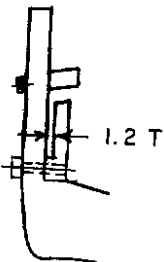
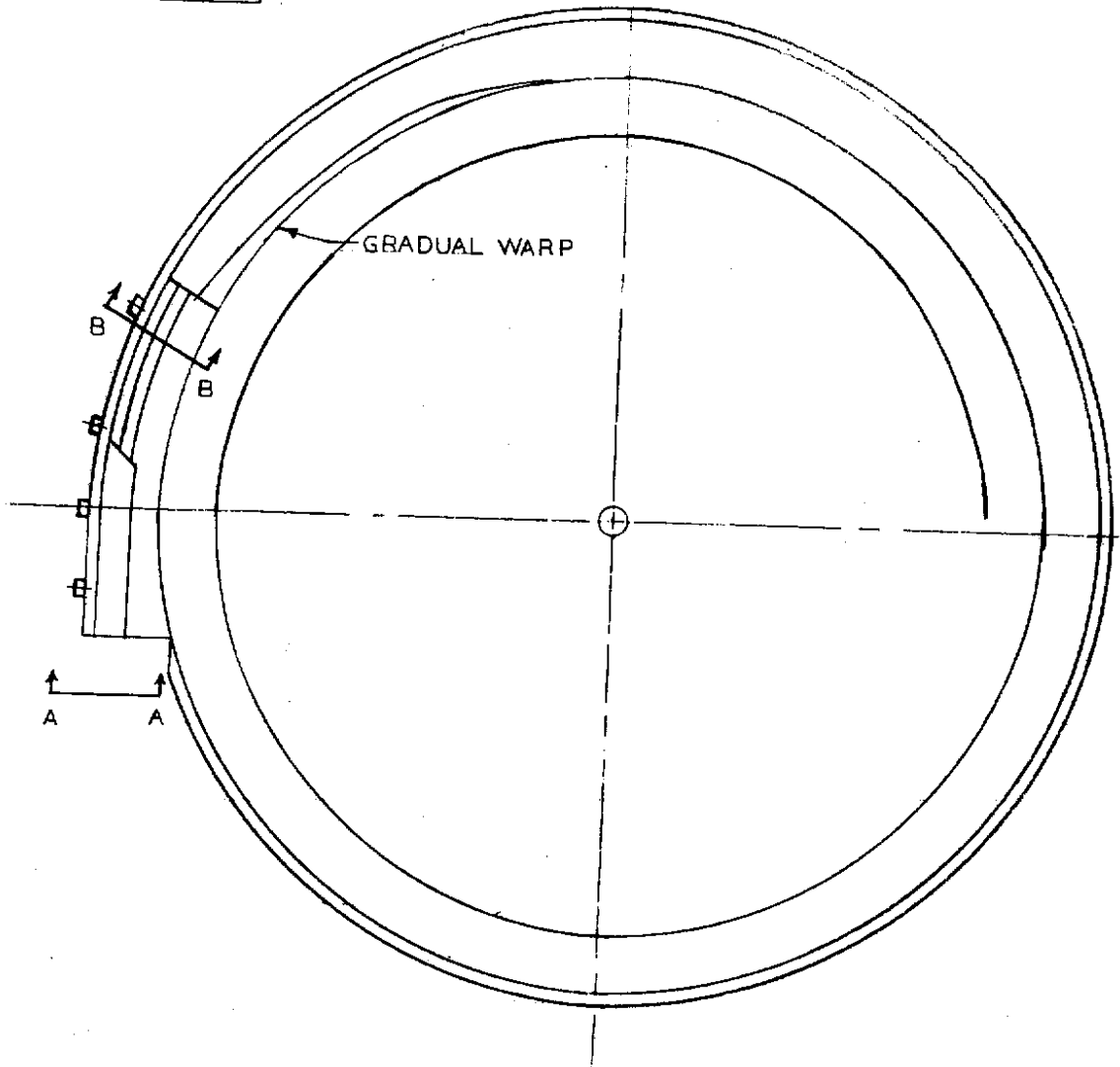
SECTION A~A



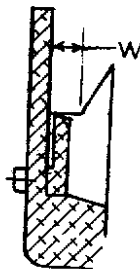
VIEW B~B

© 1966 BY VIBRATORY FEEDER CO.
 A DIVISION OF
 AUTOMATION DEVICES, INC.


VIBRATORY FEEDER CO. AUTOMATION PARK, BOX 4D FAIRVIEW, PA. 16415 PHONE 814/474-5561		CASE NO 8	
DWN R.L.L. DATE 6/4/56 CHKD W DATE 6-7-56 REVISOR 4-21-58 W	SCALE \sim SK NO 2011	FORMED METAL PART-WALLS NOT EQUALLY THICK	

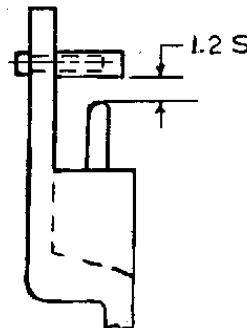
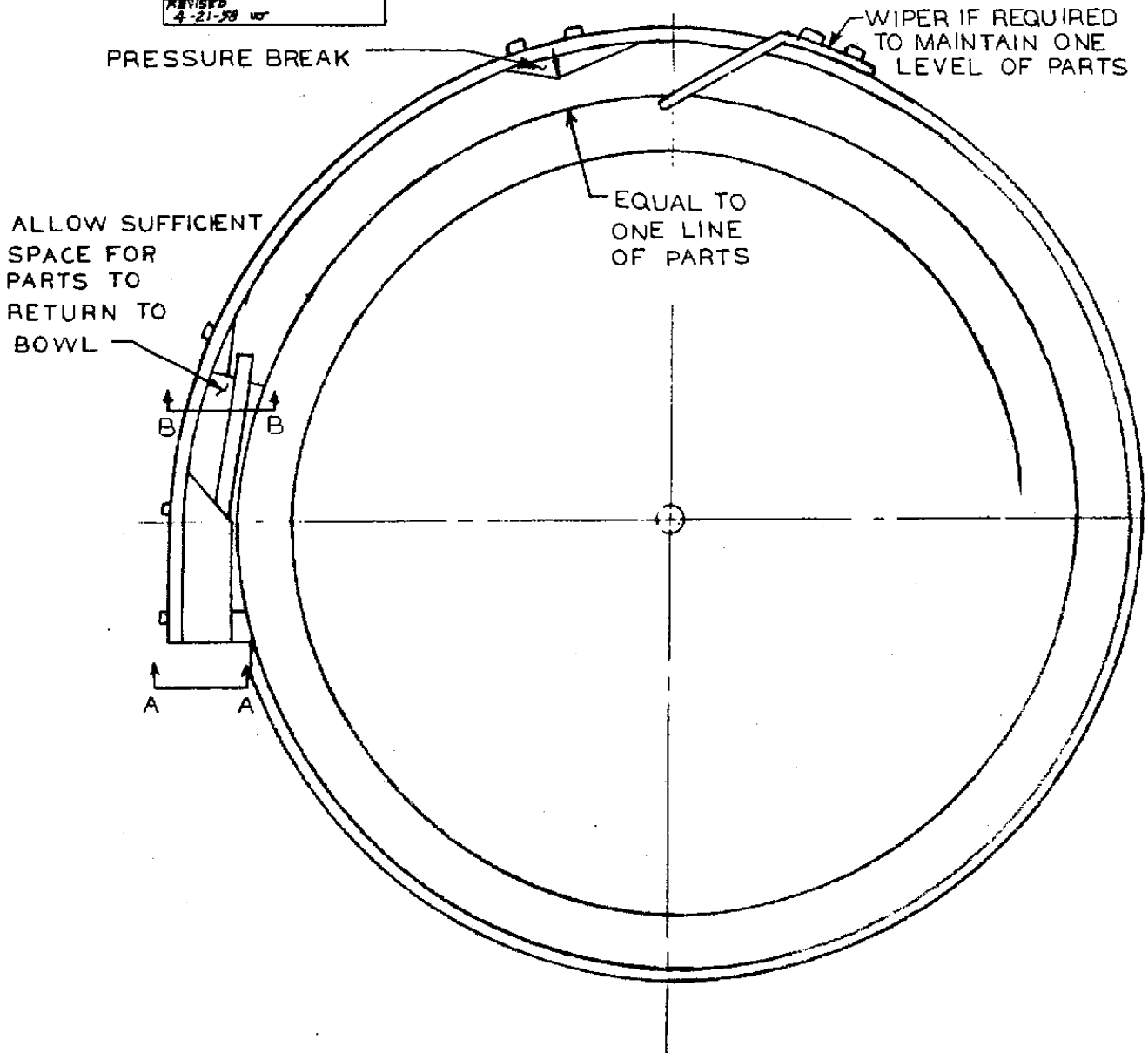


VIEW A~A

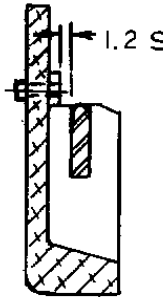


SECTION B~B

VIBRATORY FEEDER CO AUTOMATION PARK, BOX AD FAIRVIEW, PA. 16415 PHONE 814/474-5561		CASE NO 9	
DWN R.L.L. DATE 6/4/56 CHKD W DATE 6-7-56 <small>REVISED 4-21-58 W</small>	SCALE ~ SK. NO. 2012	HORSESHOES	



VIEW A~A

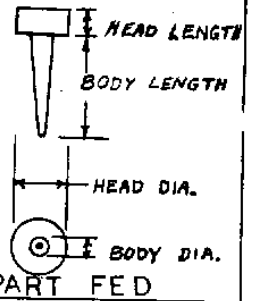


SECTION B~B

VIBRATORY FEEDER CO.
 AUTOMATION PARK, BOX AD
 FAIRVIEW, PA. 16415
 PHONE 814/474-5561

CASE NO

10



DWN R.L.L.
 DATE 6/4/56
 CHKD W
 DATE 6-7-56
 REVISED 4-21-58 W

SCALE ~

POINTED PARTS
 WITH LARGE
 HEAD

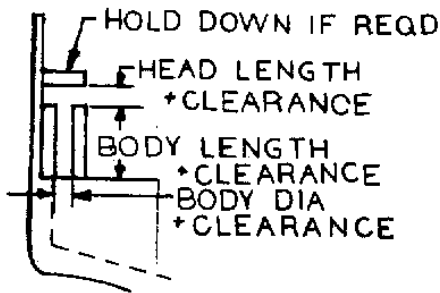
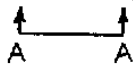
SK. NO. 2013

PRESSURE BREAK

WIPER, IF REQ'D. TO
 MAINTAIN ONE
 LEVEL OF PARTS

DISH-OUT
 TO MAINTAIN
 ONE ROW
 OF PARTS

ALLOW
 ENOUGH
 SPACE FOR
 PARTS TO
 RETURN
 TO BOWL



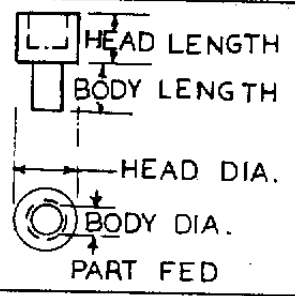
VIEW A~A



SECTION B~B

VIBRATOR FEEDER CO.
 AUTOMATION PARK, BOX AD
 FAIRVIEW, PA. 16415
 PHONE 814/474-5561

CASE NO
11



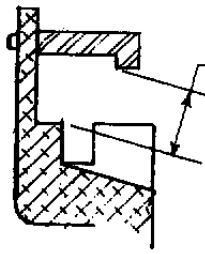
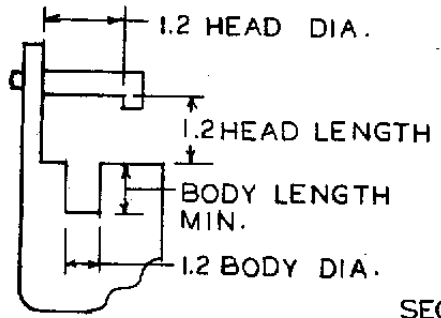
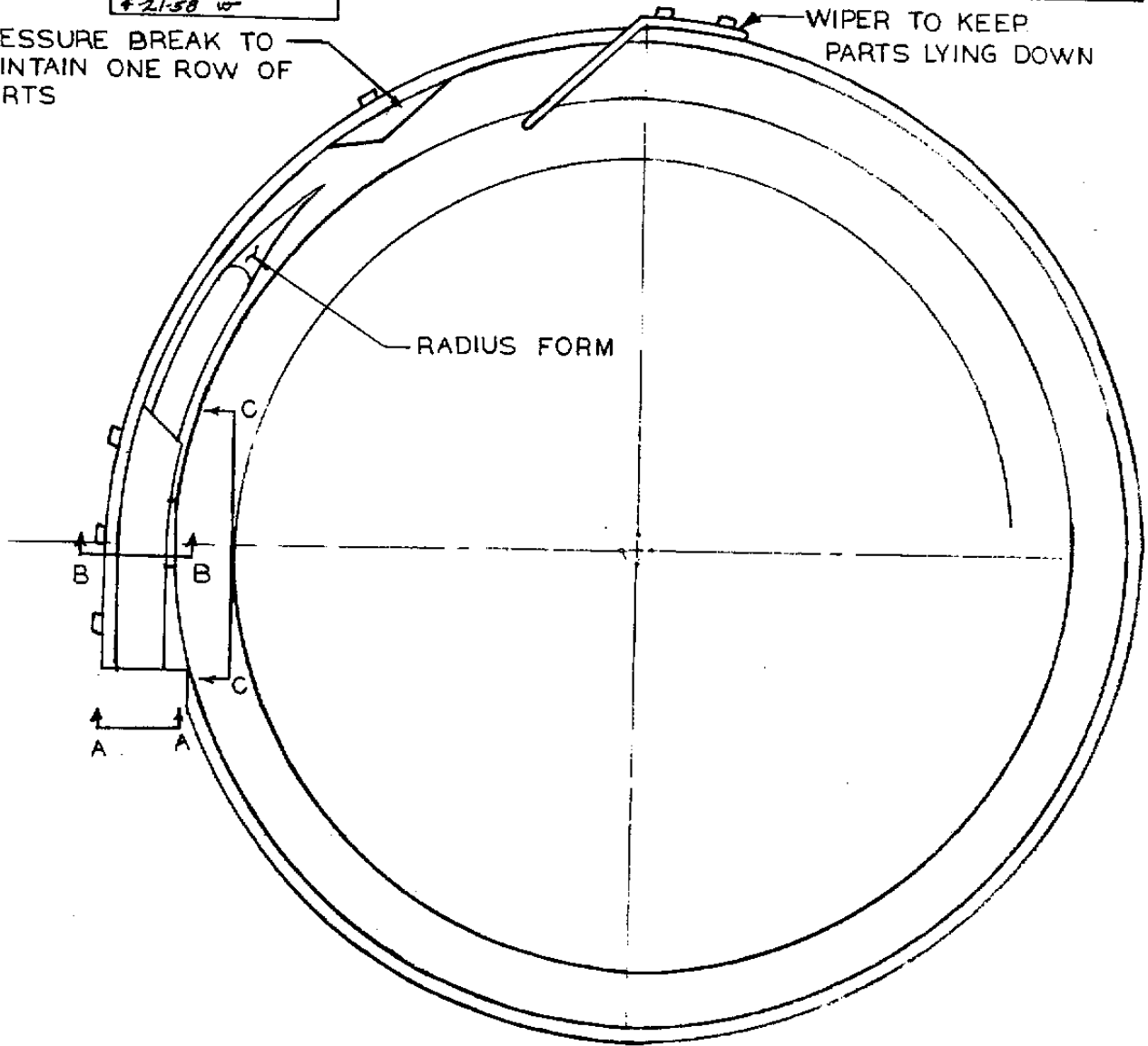
DWN. R.L.L.
 DATE 6/4/56
 CHKD ✓
 DATE 6-7-56
 REVISED 4-21-58 ✓

SCALE ~
 SK NO 2014

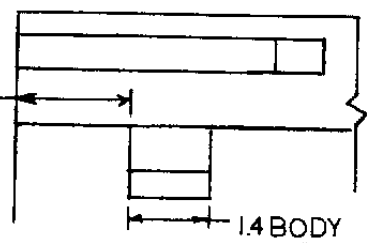
HEADED PT OR SHELL
 BODY WT. SLIGHTLY
 GREATER THAN HEAD
 WT - PART MAY
 NOT HANG

PRESSURE BREAK TO
 MAINTAIN ONE ROW OF
 PARTS

WIPER TO KEEP
 PARTS LYING DOWN



SECTION B~B
 APPROX TWICE
 HEAD DIA. OF PART



VIEW A~A

VIEW C~C

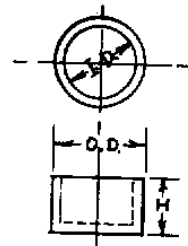
VIBRATORY FEEDER CO.

AUTOMATION PARK, BOX AD

FAIRVIEW, PA. 16415
PHONE 814/474-5561

CASE NO

12



PART FED

DWN R.L.L.
 DATE 6/4/56
 CHK'D W
 DATE 6-7-56

SCALE ~

CUP ON SCALLOPS

SK. NO. 2015

REVISED
4-21-58 W

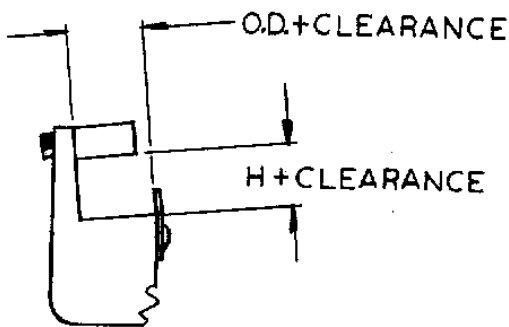
PRESSURE BREAK

WIPER TO ALLOW ONLY PARTS ON END TO PASS

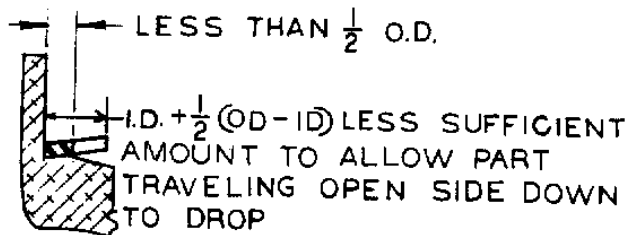
EQUAL TO DIA OF PARTS

LESS THAN INSIDE DIA OF CUP.

A A



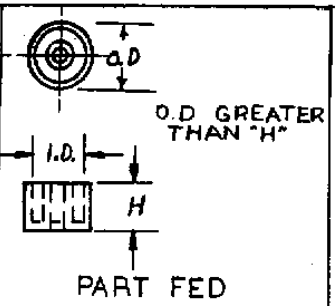
VIEW A~A



SECTION B~B

VIBRATORY FEEDER CO.
 AUTOMATION PARK, BOX AD
 FAIRVIEW, PA. 16415
 PHONE 814/474-5561

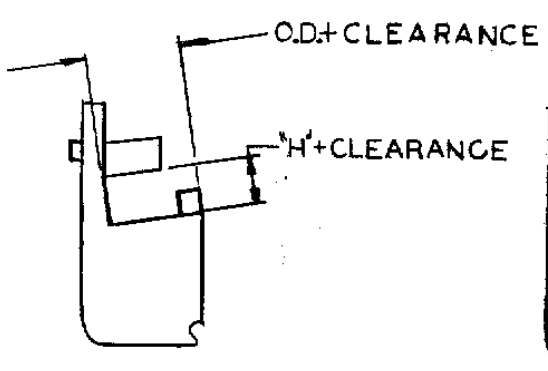
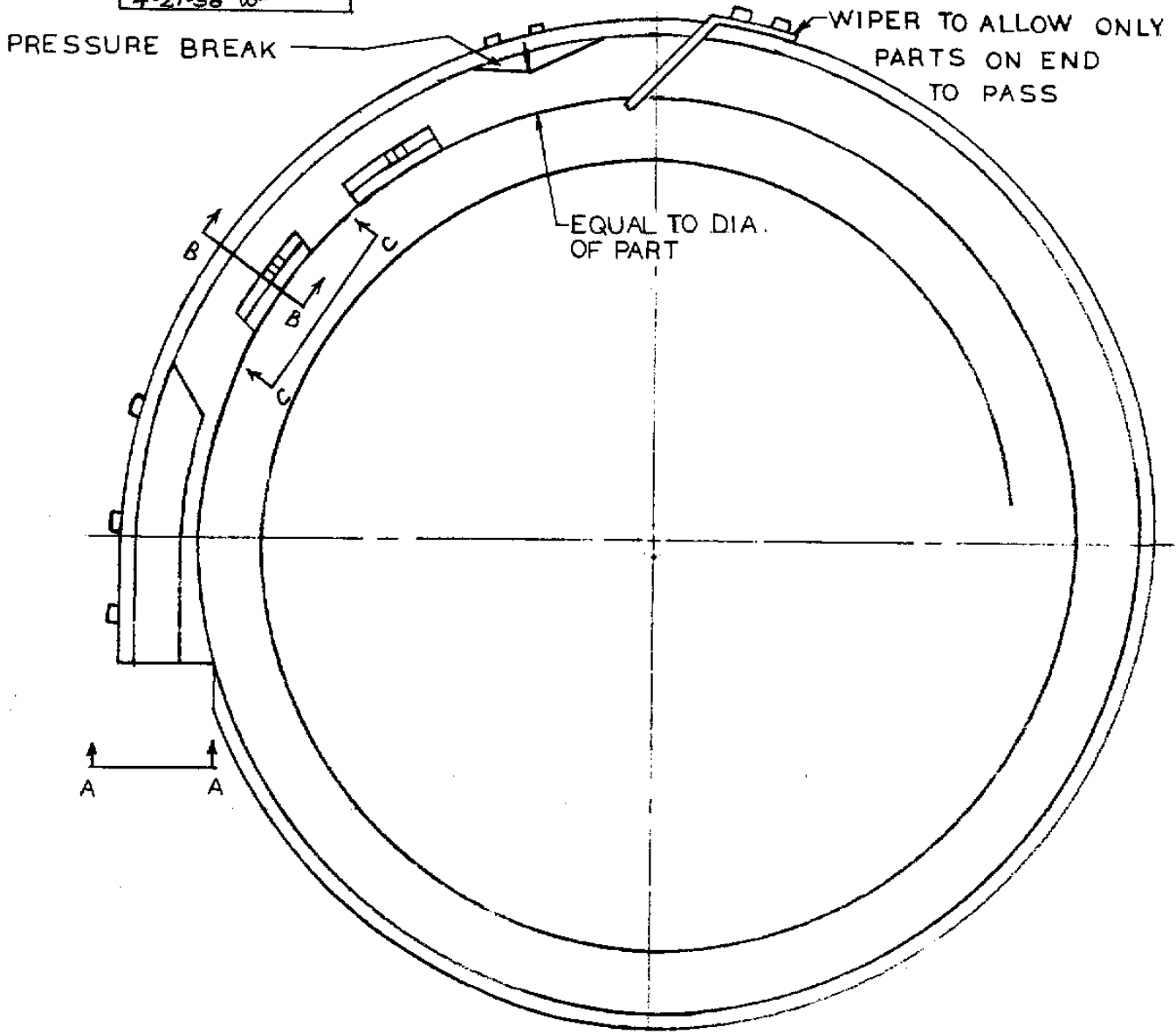
CASE NO
13



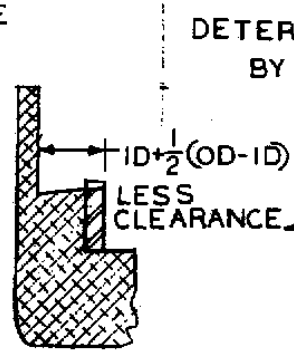
DWN R.L.L.
 DATE 6/4/56
 CHKD ✓
 DATE 6-7-56
 REVISE D
 4-21-58

SCALE
 SK. NO. 2016

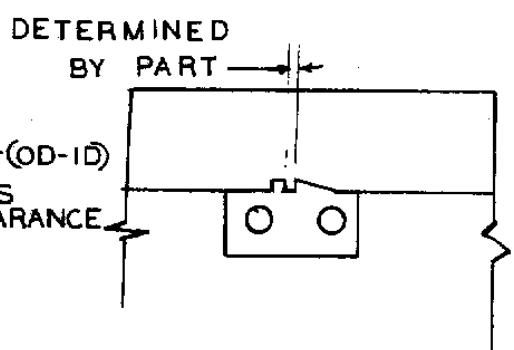
PARTS HAVING A
 GROOVE ON ONE
 FACE



VIEW A~A



SECTION B~B



SECTION C~C

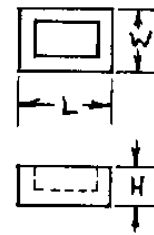
VIBRATORY FEEDER CO.

AUTOMATION PARK, BOX AD

FAIRVIEW, PA. 16415
PHONE 814/474-5561

CASE NO

14



PART FED

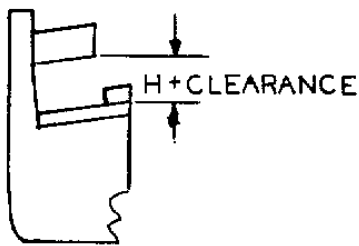
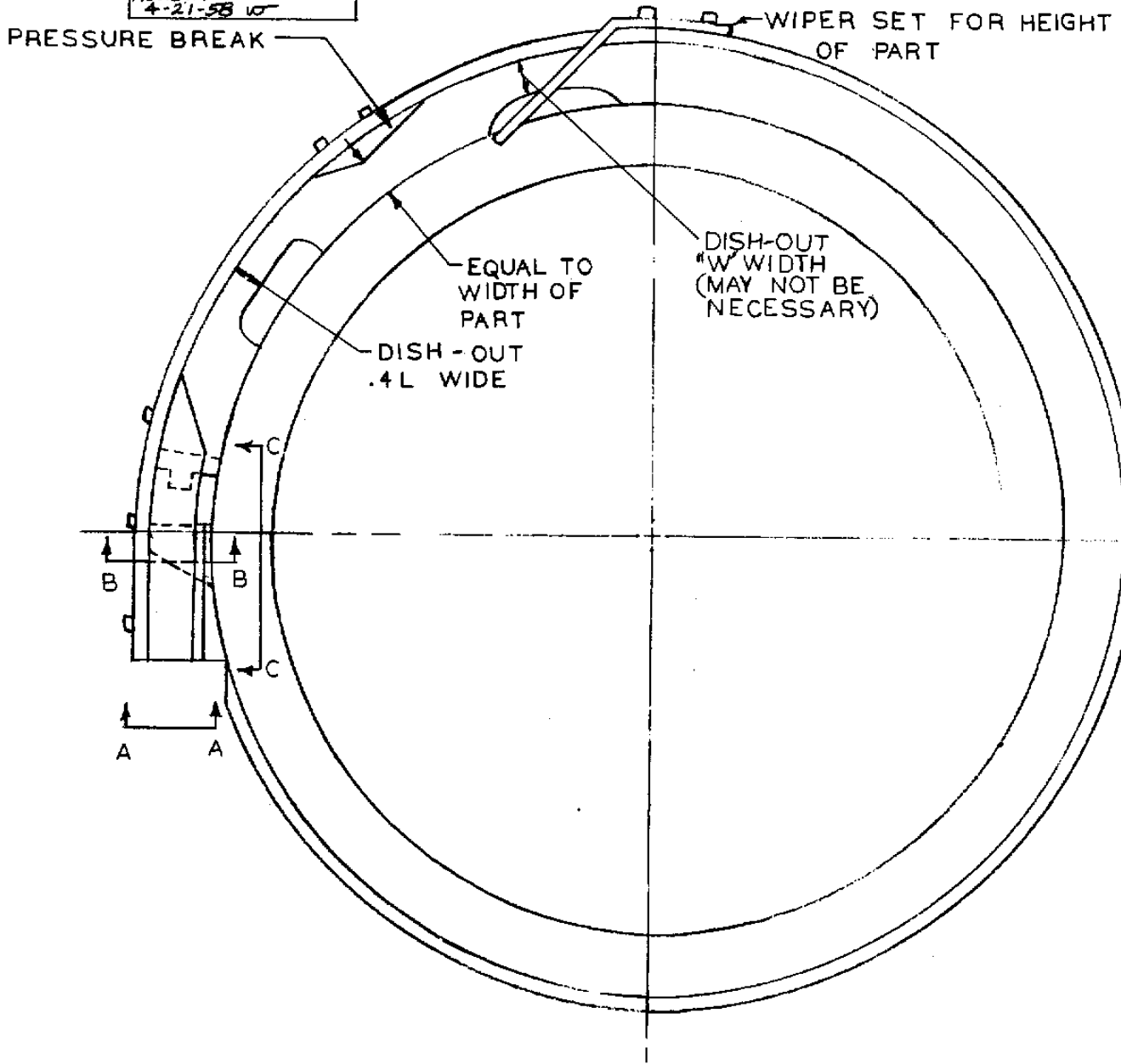
DWN R.L.L.
DATE 6/4/56
CHK'D W
DATE 6-7-56

SCALE

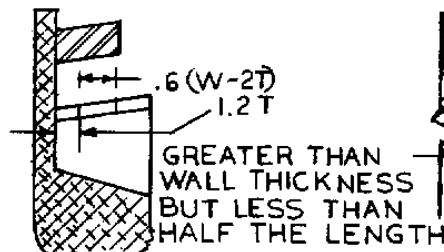
FORMED METAL
CUPS

SK NO 2017

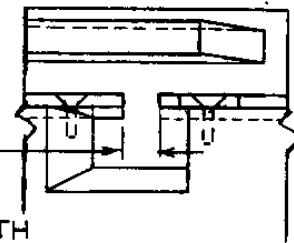
REVISED
4-21-58 W





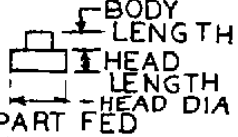
VIEW A~A

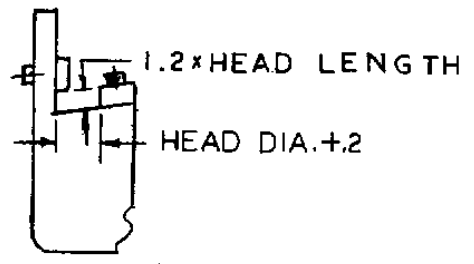
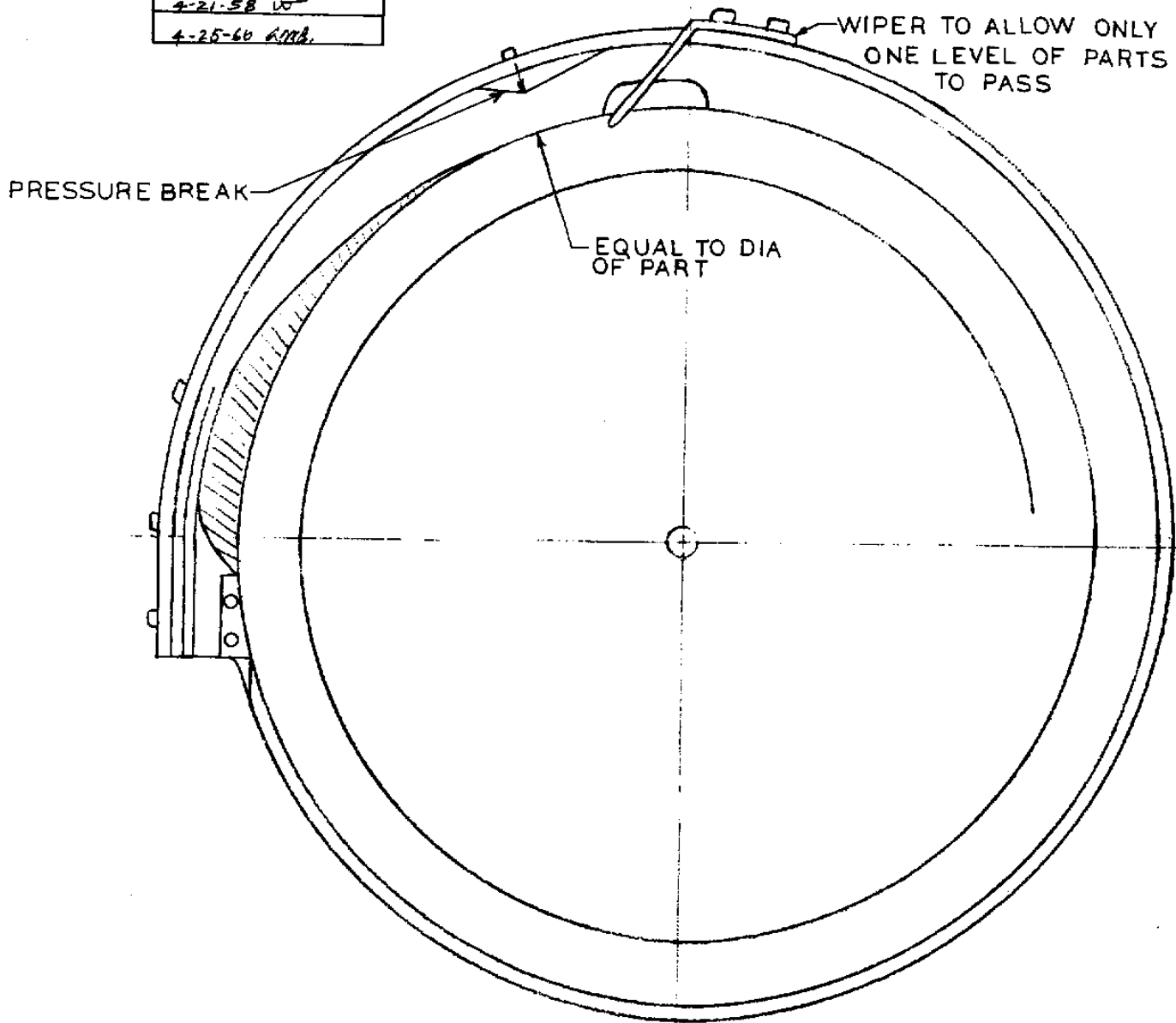


SECTION B~B



SECTION C~C

VIBRATORY FEEDER CO. AUTOMATION PARK, BOX AD FAIRVIEW, PA, 16415 PHONE 814/474-5561		CASE NO 15	 BODY DIA
DWN R.L.L. DATE 6/4/56 CHKD WJ DATE 6-7-56 REVISED 4-21-58 WJ 4-25-60 6108	SCALE  SK NO 2018	HEADED PARTS WITH SHORT BODY - RE- TAINING BY FORM	



VIBRATORY FEEDER CO.

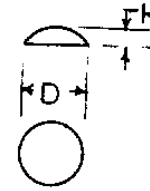
AUTOMATION PARK, BOX AD

FAIRVIEW, PA. 16415

PHONE 814/474-5561

CASE NO

16



PART FED

DWN.

R. L. L.

DATE

6/4/56

CHKD

W

DATE

6-7-56

REVISED

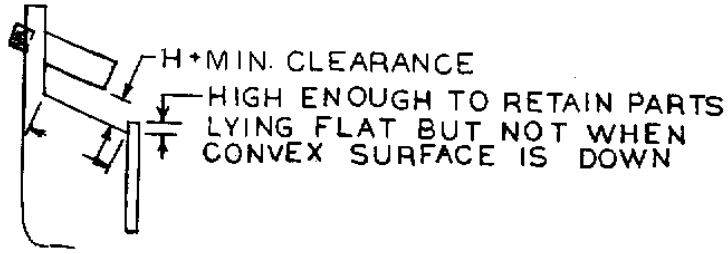
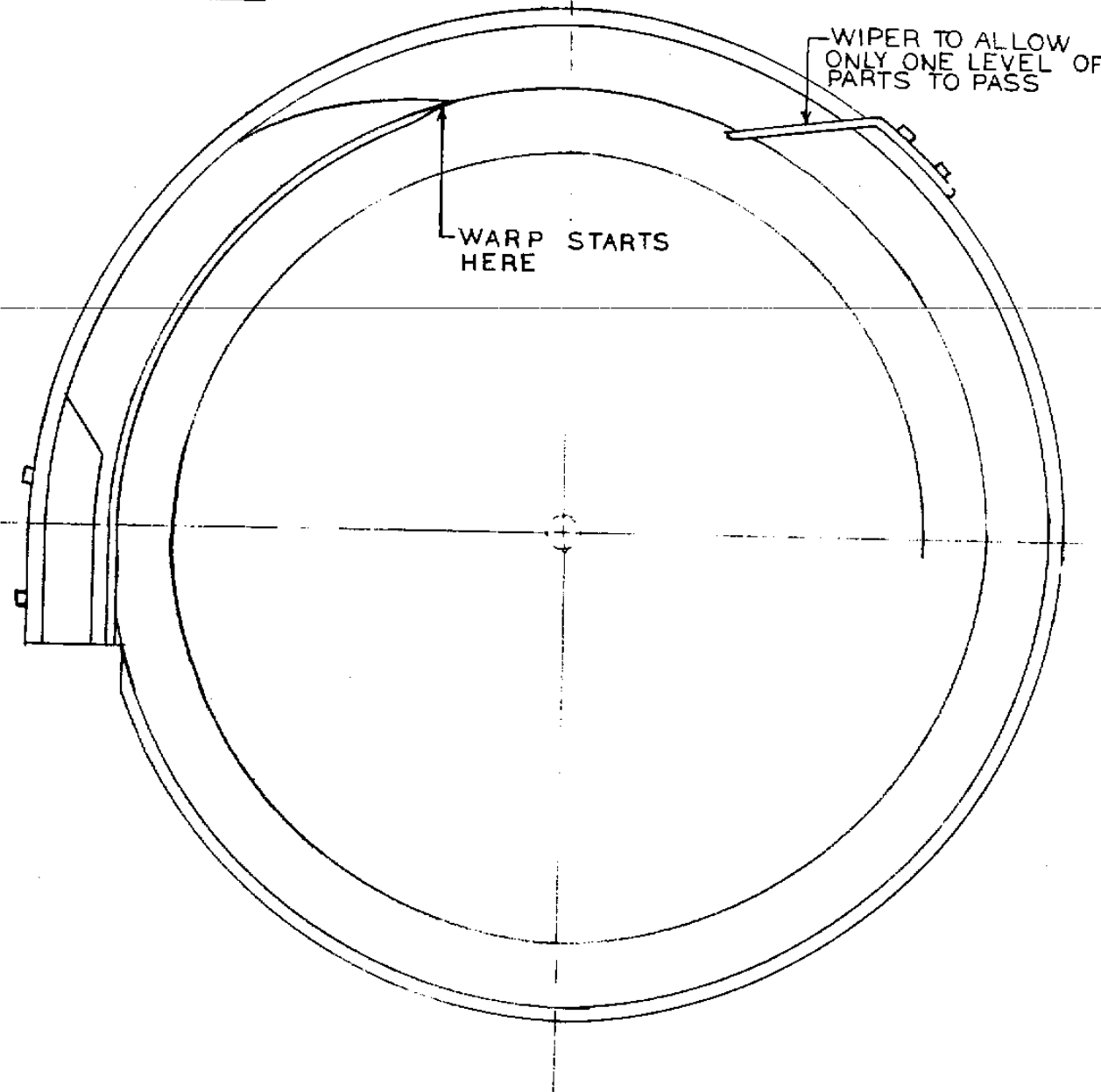
4-21-58

SCALE



DISH SHAPED PARTS

SK. NO. 2019



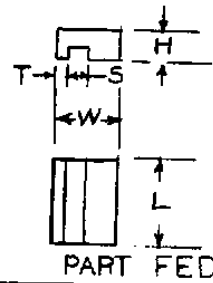
VIBRATORY FEEDER CO.

AUTOMATION PARK, BOX AD

FAIRVIEW, PA, 16415
PHONE 814/474-5561

CASE NO

17



DWN. R.L.L.
DATE 6/4/56
CHKD W
DATE 6-7-56

SCALE

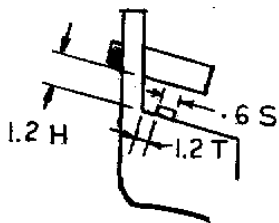
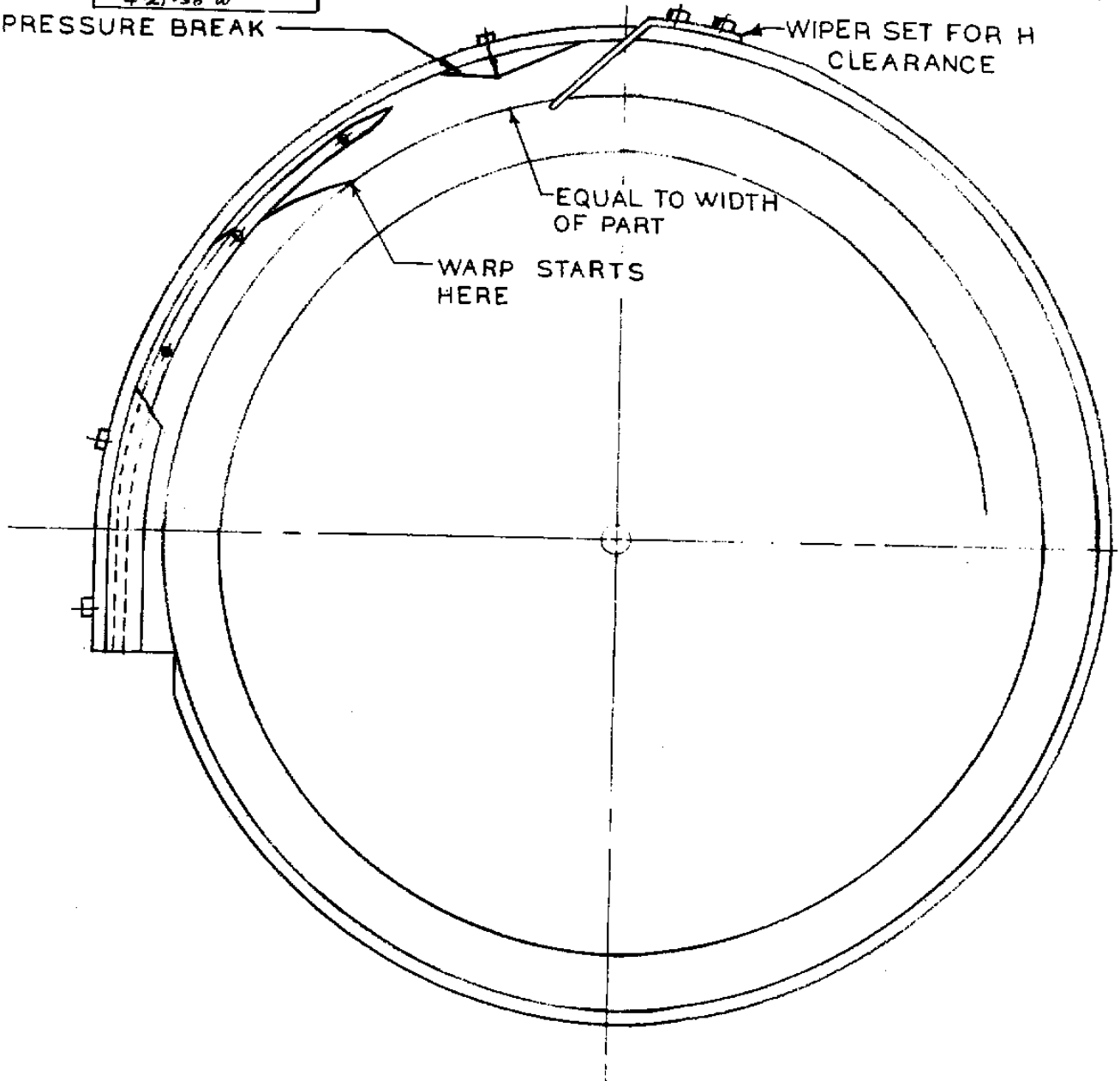
SK. NO. 2020

SLOTTED PART

REVISED
4-21-58 W

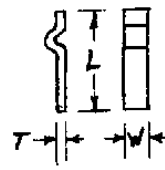
PRESSURE BREAK

WIPER SET FOR H CLEARANCE



VIBRATORY FEEDER CO.
 AUTOMATION PARK, BOX AD
 FAIRVIEW, PA. 16415
 PHONE 814/474-5561

CASE NO
18

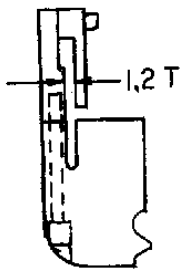
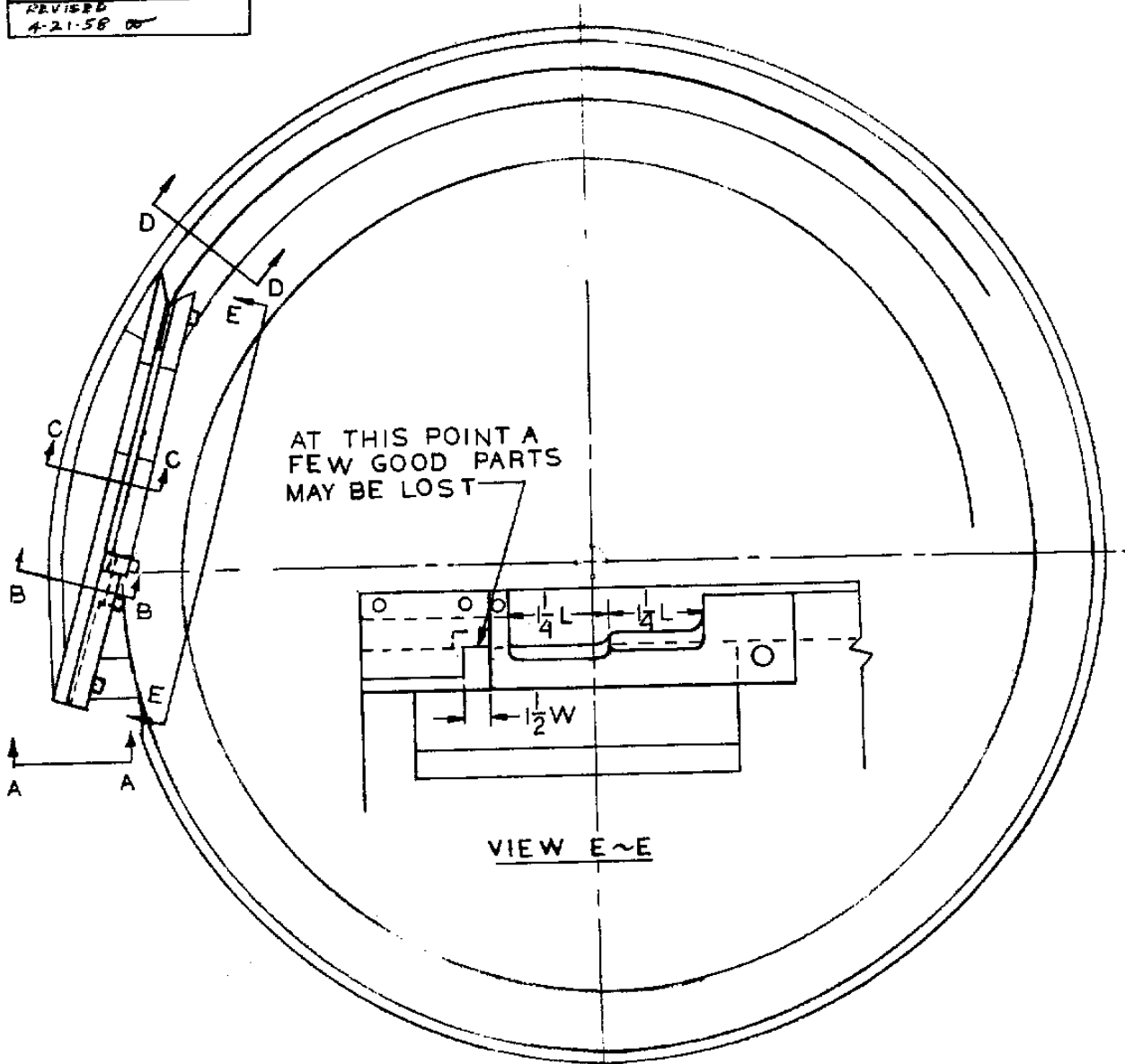


DWN R.L.L.
 DATE 6/4/56
 CHK'D W
 DATE 6-7-56

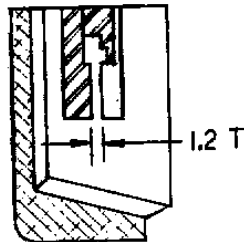
SCALE
 SK. NO. 2021

STRIPS WITH A
 PROJECTION AT
 ONE END

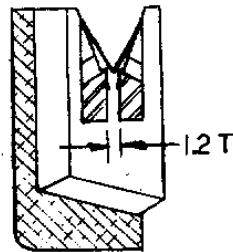
PART FED



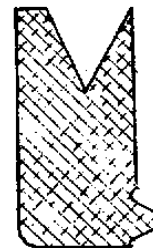
VIEW A~A



SECTION B~B



SECTION C~C



SECTION D~D

VIBRATORY FEEDER CO.

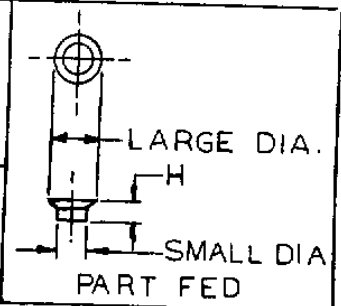
AUTOMATION PARK, BOX AD

FAIRVIEW, PA, 16415

PHONE 814/474-5561

CASE NO

19



DWN R.L.L.
 DATE 6/4/56
 CHKD ✓
 DATE 6-7-56

SCALE

FORMED METAL
FLANGED CUP

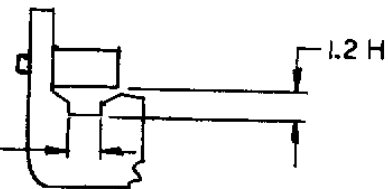
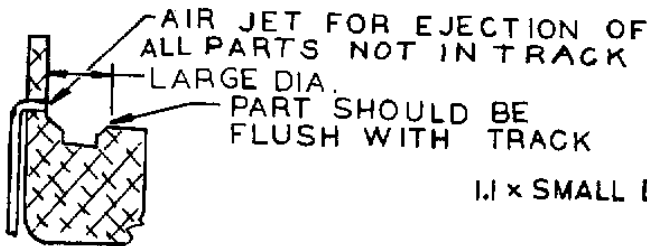
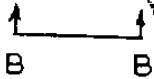
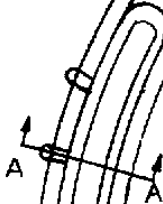
SK. NO. 2022

REVISED
4-21-58

PRESSURE BREAK

WIPER TO MAINTAIN ONE
LEVEL OF PARTS

EQUAL TO
LARGE DIA.
OF PART

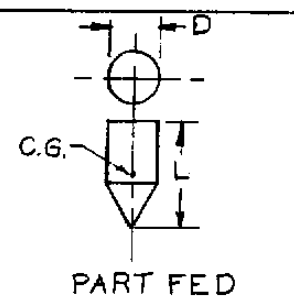


SECTION A~A

VIEW B~B

VIBRATORY FEEDER CO.
 AUTOMATION PARK, BOX AD
 FAIRVIEW, PA. 16415
 PHONE 814/474-5561

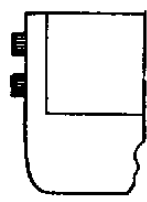
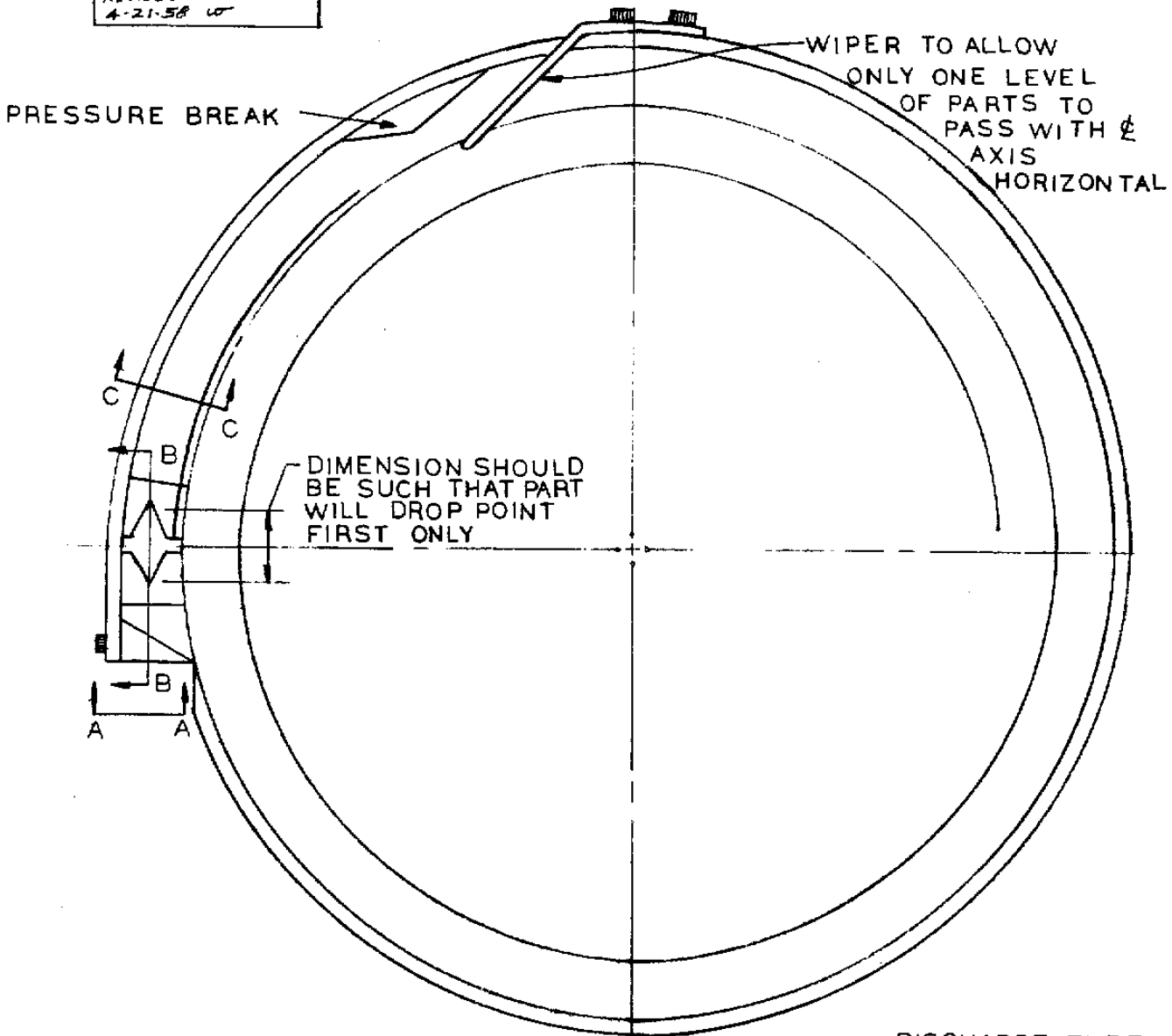
CASE NO
20



DWN R.L.L.
 DATE 6/5/56
 CHK'D ✓
 DATE 6-7-56
 REVISED
 4-21-58 W

SCALE ~
 SK NO 2023

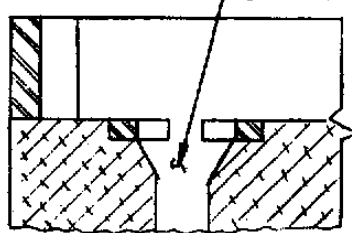
POINTED PARTS
 FEEDING POINT
 LEADING



VIEW A~A



SECTION C~C



SECTION B~B

DISCHARGE TUBE SHOULD NEVER BECOME FILLED USE EXTERNAL CONTROL DEVICE

VIBRATORY FEEDER CO.

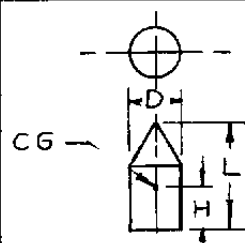
AUTOMATION PARK, BOX AD

FAIRVIEW, FA. 16415

PHONE 814/474-5561

CASE NO

21



PART FED

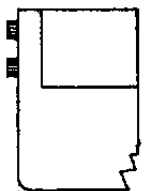
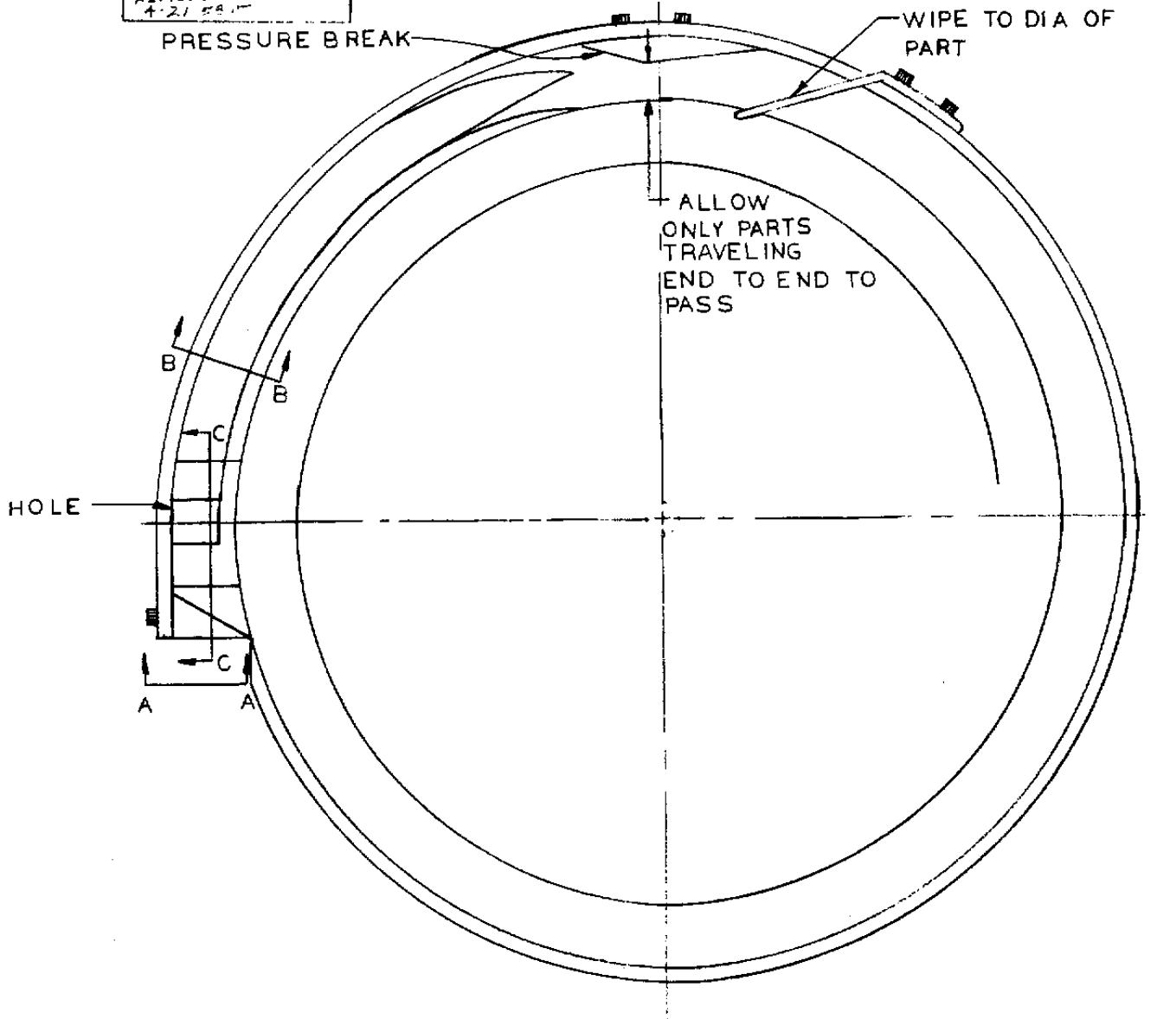
DWN R.L.L.
 DATE 2/5/56
 CHK'D ✓
 DATE 4-21-58

SCALE

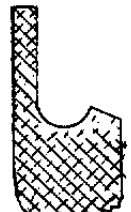
SK. NO. 2024

POINTED PINS
FEEDING POINT
TRAILING

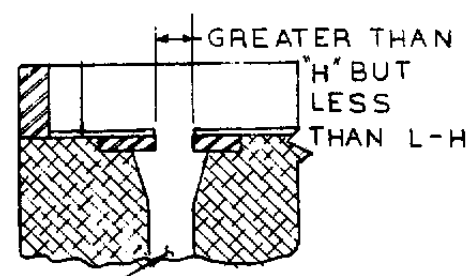
REVISED
4-21-58



VIEW A~A



SECTION B~B



SECTION C~C

DISCHARGE TUBE MUST NOT ALLOWED TO FILL TO LEVEL OF TRACK-CONTROLL

VIBRATORY FEEDER CO.

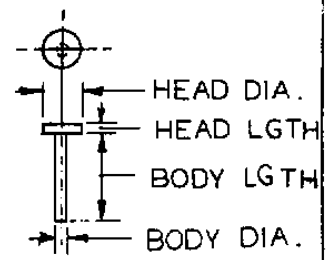
AUTOMATION PARK, BOX AD

FAIRVIEW, PA. 16415

PHONE 814/474-5561

CASE NO

22



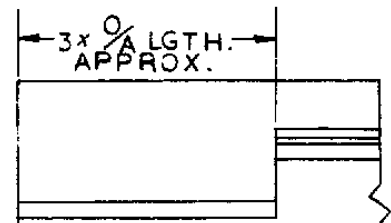
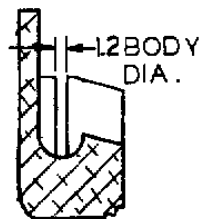
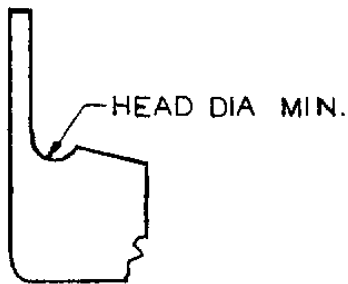
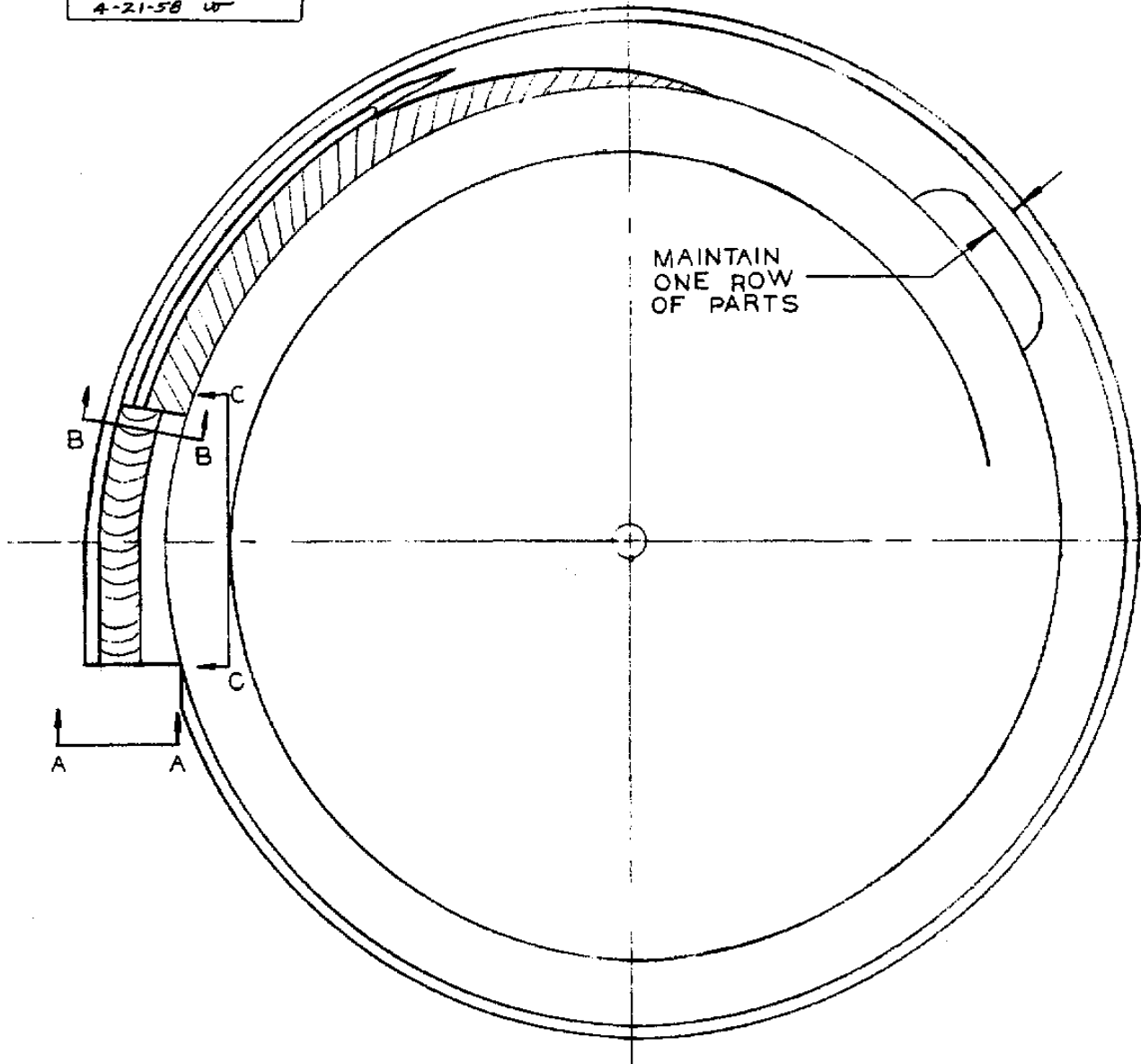
DWN R.L.L.
DATE 6/5/56
CHKD W
DATE 6-7-56

SCALE \sim

SK. NO. 2025

HEADED PINS
FEEDING HEAD
FIRST

REVISED
4-21-58 W



ORIENTATION SECTION
SHOULD NEVER BECOME
FILLED. CONTROL BY
EXTERNAL SWITCHING

VIEW A~A

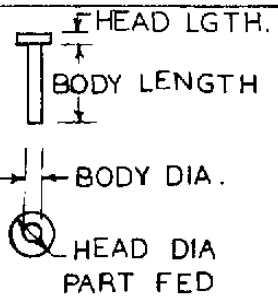
SECTION B~B

SECTION C~C

VIBRATORY FEEDER CO.
 AUTOMATION PARK, BOX AD
 FAIRVIEW, PA. 16415
 PHONE 814/474-5561

CASE NO

23



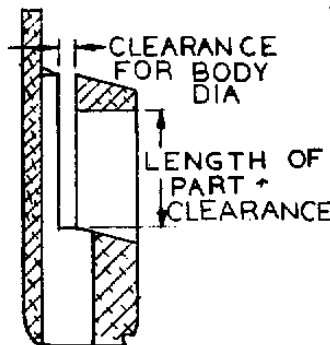
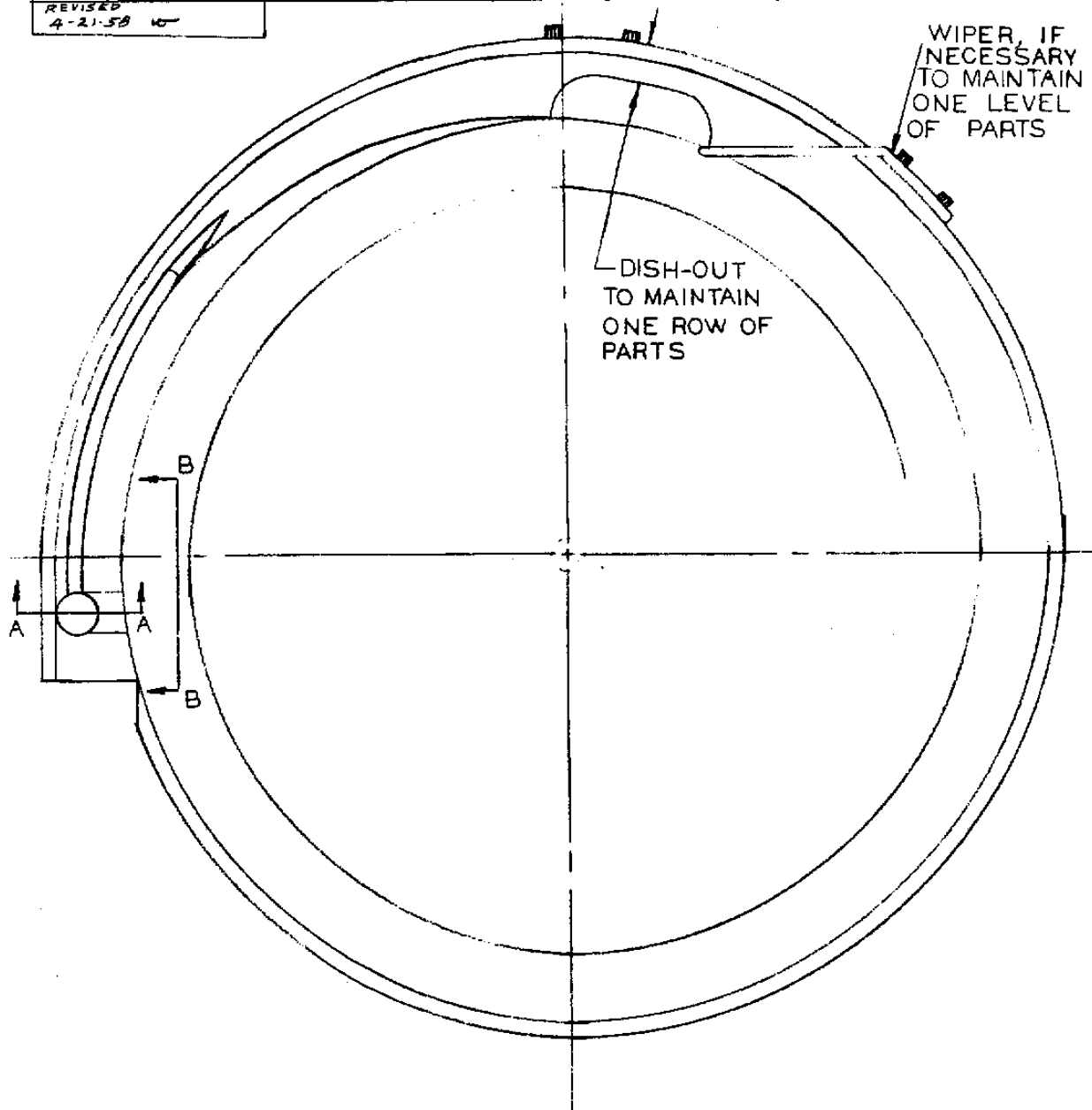
DWN R.L.L.
 DATE 6/5/56
 CHKD W
 DATE 6-7-56

SCALE ~

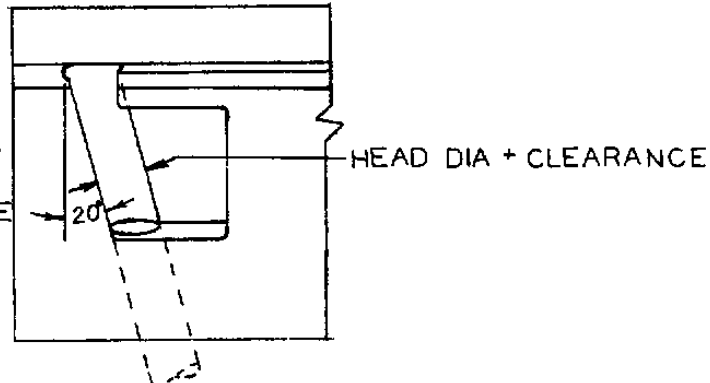
SK NO 2026

HEADED PINS
 FEEDING
 BODY FIRST

REVISED
 4-21-58 W



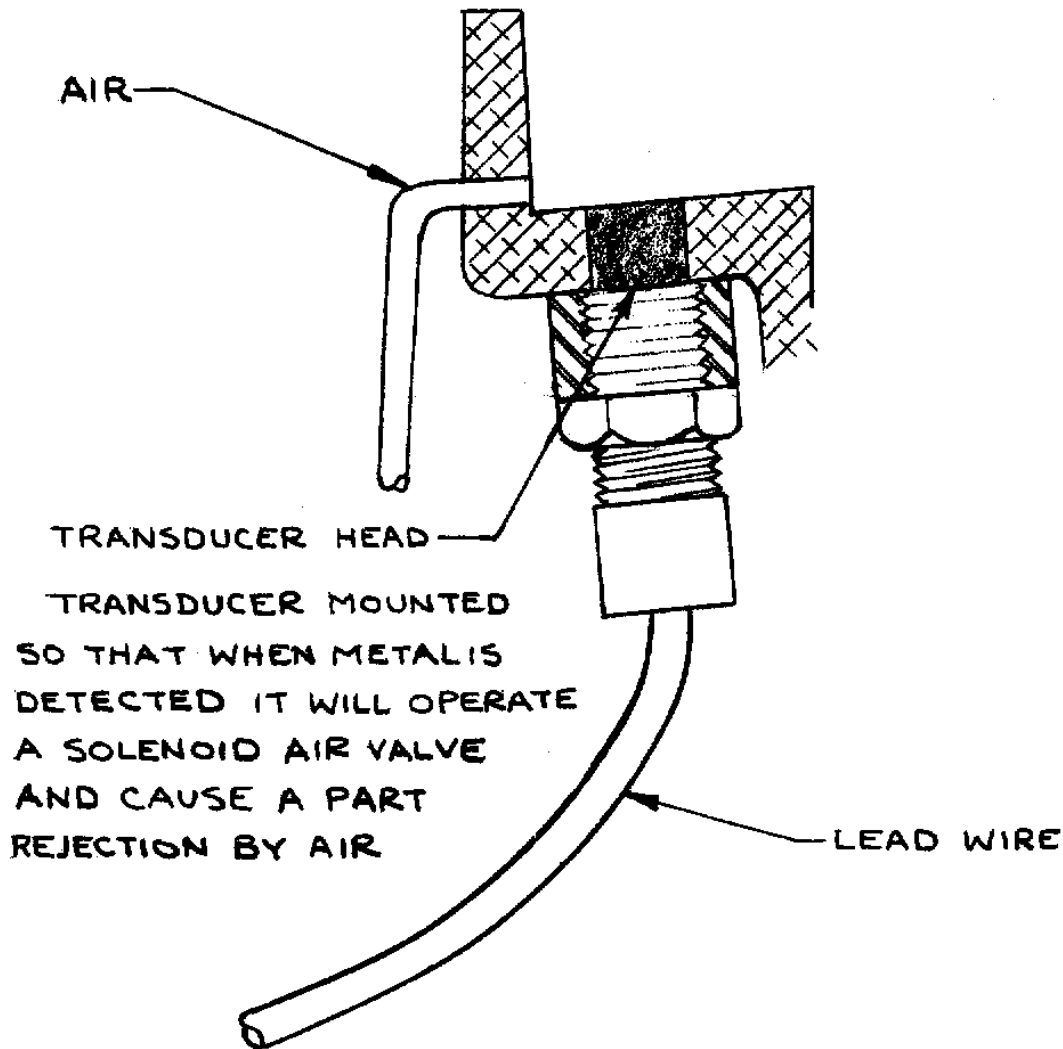
SECTION A~A



VIEW B~B

VIBRATORY FEEDER CO. AUTOMATION PARK, BOX AD FAIRVIEW, PA. 16415 PHONE 814/474-5561		CASE NO. 24	
DWN RLL DATE 6-13-56 CHK'D W DATE 6-23-56	SCALE ~ SK.NO.2027	ELECTRONIC DETECTION OF METALS	
REVISED 4-21-58			

USED IN ORIENTING BIMETALIC PARTS, OR NONMETALLIC PARTS WITH METAL IMBEDDED ON ONE SURFACE. SHOWN HERE AS COULD BE USED IN CASE NO. 6, BUT MAY BE USED WITH VARIOUS OTHER TECHNIQUES



VIBRATORY FEEDER CO.
 AUTOMATION PARK, BOX AD
 FAIRVIEW, PA. 16415
 PHONE 814/ 474-5561

CASE NO.
25

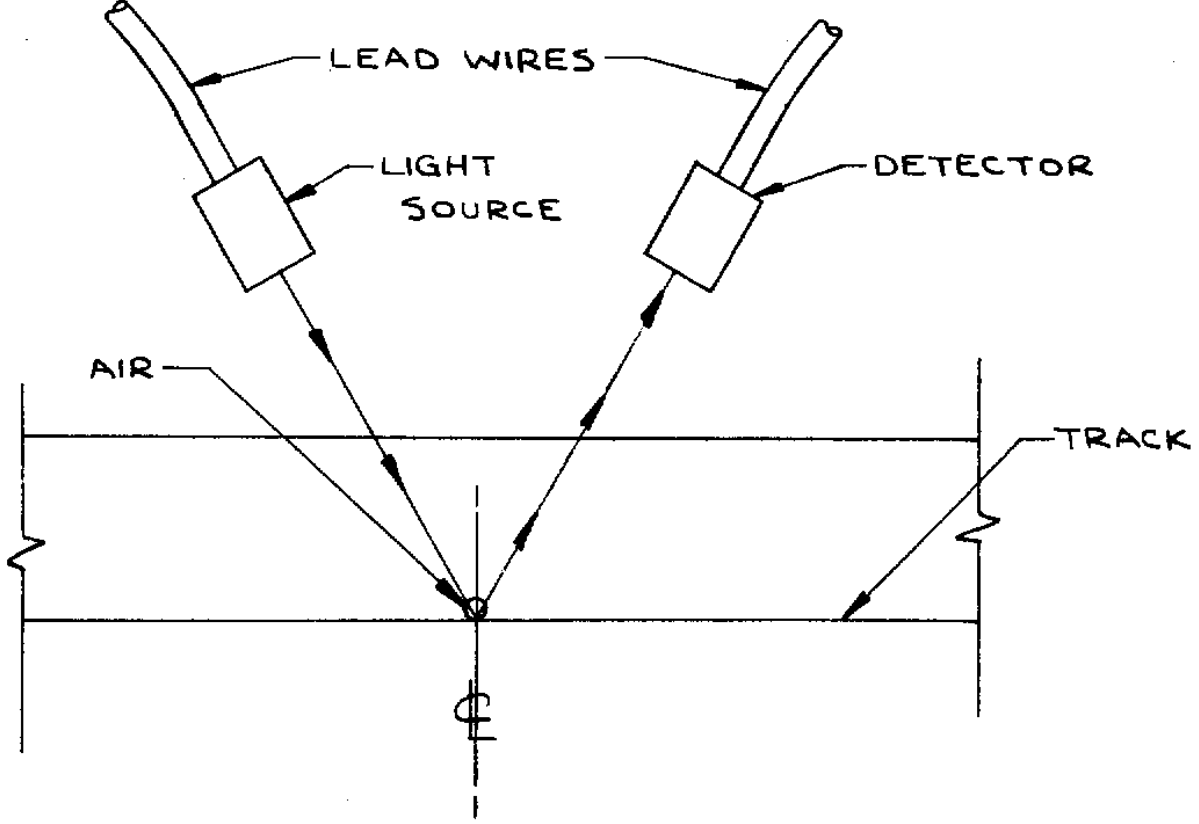


DWN RGM
 DATE 9-9-66
 CHK'D WJ
 DATE 9-7-66
 REDWUN Rgm 9-9-66

SCALE ~
 SK. NO. 2028

PHOTO-ELECTRIC
 DETECTION OF
 SURFACE FINISH
 OR COLOR

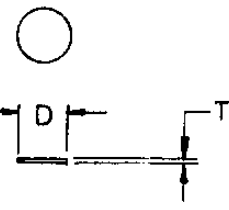
PART FED




DETECTOR IS EXTREMELY SENSITIVE TO LIGHT. CHANGES IN AMOUNT OF LIGHT INITIATES AN ELECTRICAL RESPONSE WHICH WILL OPERATE A SOLENOID AIR VALVE AND CAUSE PART REJECTION BY AIR. MAY BE USED WITH ANY DESIGN OF FEEDER.

VIBRATORY FEEDER CO.
AUTOMATION PARK, BOX AD.
FAIRVIEW, PA, 16415
PHONE 814/474-5561

CASE NO
26



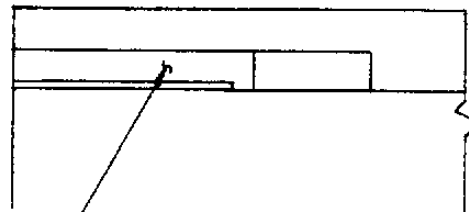
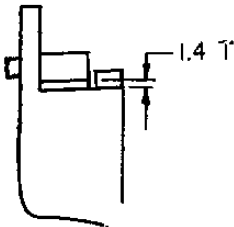
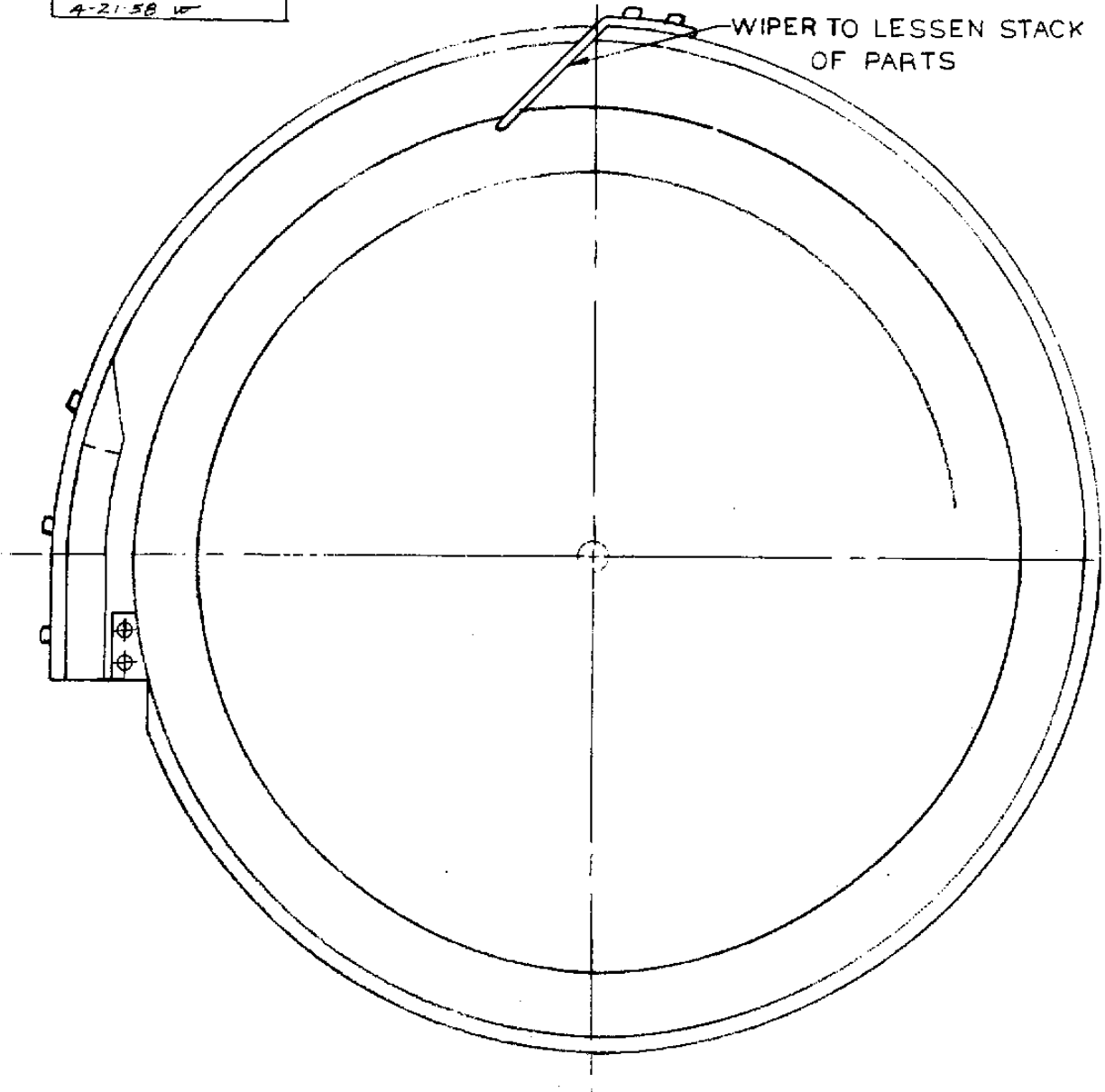
DWN R.L.L.
DATE 6/5/58
CHKD W
DATE 6-7-58

SCALE 
SK NO 2029

VERY THIN
DISC OR WASHER

PART FED.

REVISED
4-21-58 W



USED TO PREVENT
WEDGING BY FORCING
PART OUT AROUND
AND ALLOWING PART
TO DRIFT BACK
UNDER RAIL

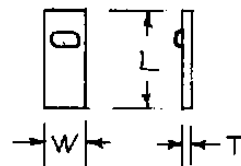
VIBRATORY FEEDER CO.

AUTOMATION PARK, BOX AD

FAIRVIEW, PA, 16415
PHONE 814/474-5561

CASE NO.

27

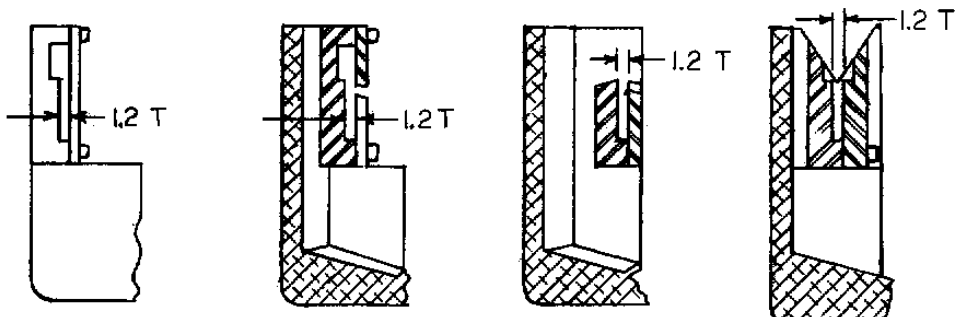
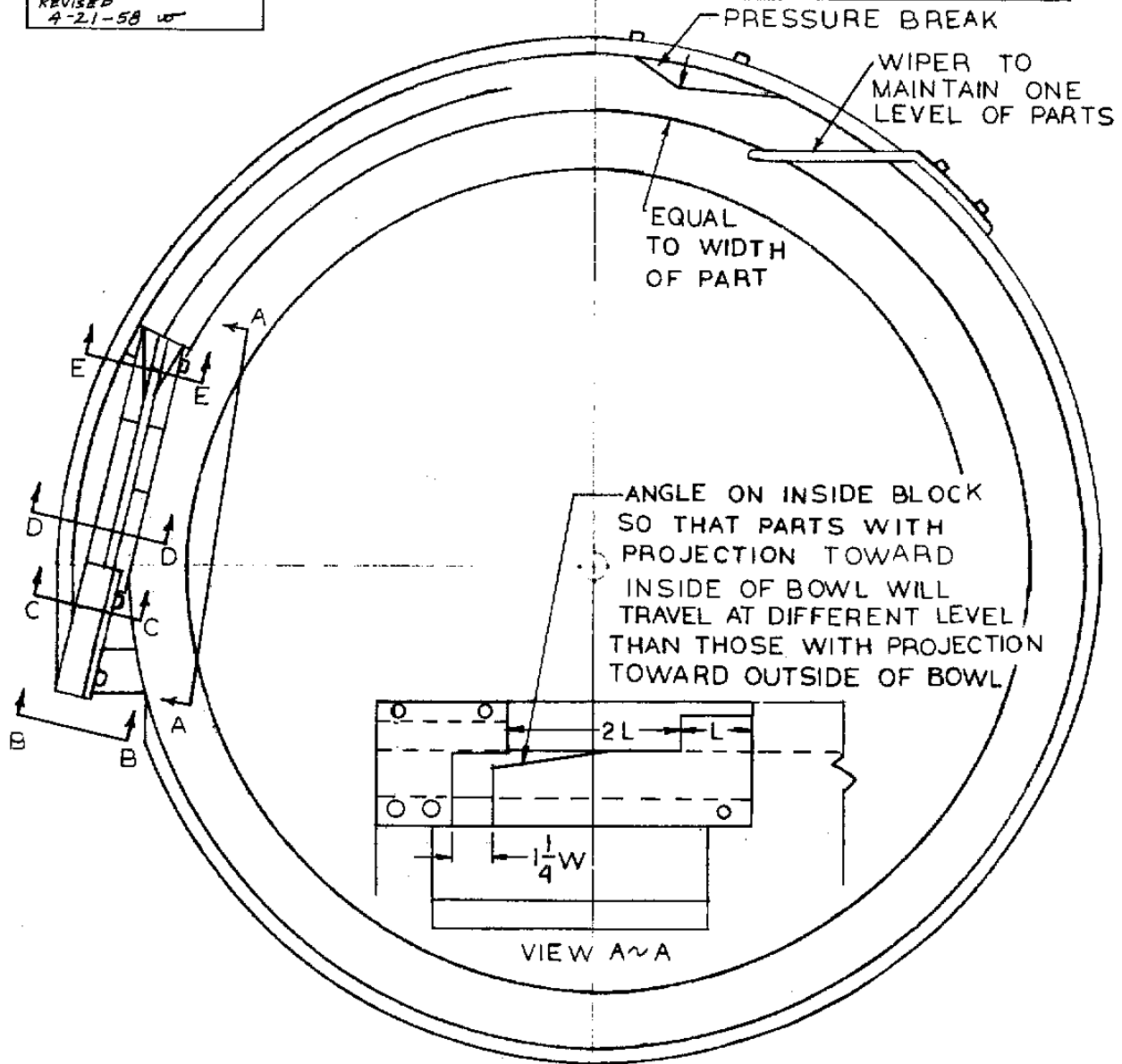


DWN R.L.L.
DATE 6-8-56
CHKD W
DATE 6-9-56
REVISED 4-21-58 W

SCALE ~
SK NO 2030

SECTION OF PART
BY FINE DIMPLE
NEAR ONE END

PART FED



VIEW B~B SECTION C~C SECTION D~D SECTION E~E

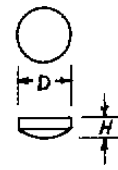
VIBRATORY FEEDER CO.

AUTOMATION PARK, BOX AD

FAIRVIEW, PA. 16415
PHONE 814/474-5561

CASE NO.

28



DWN R.L.L.
DATE 6-10-56
CHKD W
DATE 4-21-58
REVISED
4-21-58 W

SCALE ~

SK NO 2031

SHALLOW DISHED
BLANKS OR
STAMPINGS

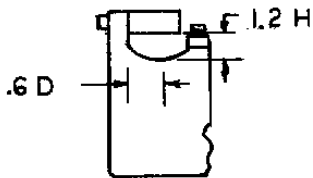
PART FED

PRESSURE BREAK

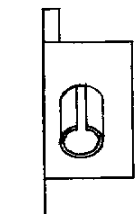
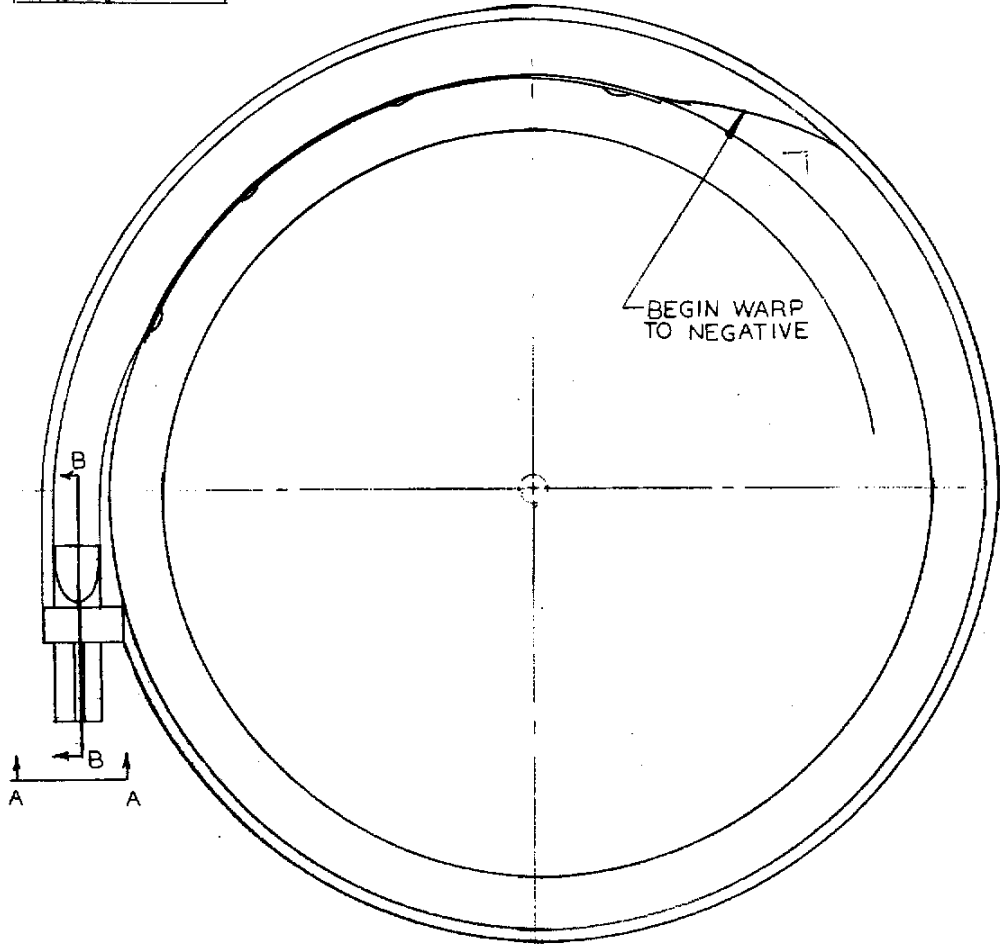
WIPER TO
MAINTAIN ONE
LEVEL OF PARTS
LYING FLAT

EQUAL
TO DIA OF
PART

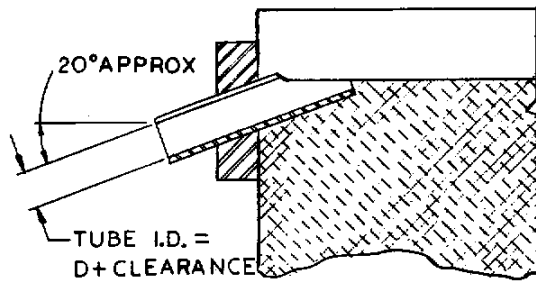
SPILL-OFF



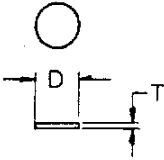
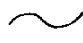
VIBRATORY FEEDER CO. AUTOMATION PARK, BOX AD FAIRVIEW, PA. 16415 PHONE 814/474-5561		CASE NO 29	
DWN R.L.L. DATE 6/5/56 CHKD W DATE 6-7-56 REVISED 4-21-58 W	SCALE SK NO	STACKING FLAT WASHER & DISC	PART FED

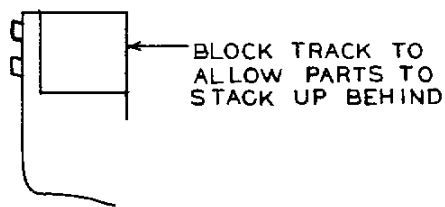
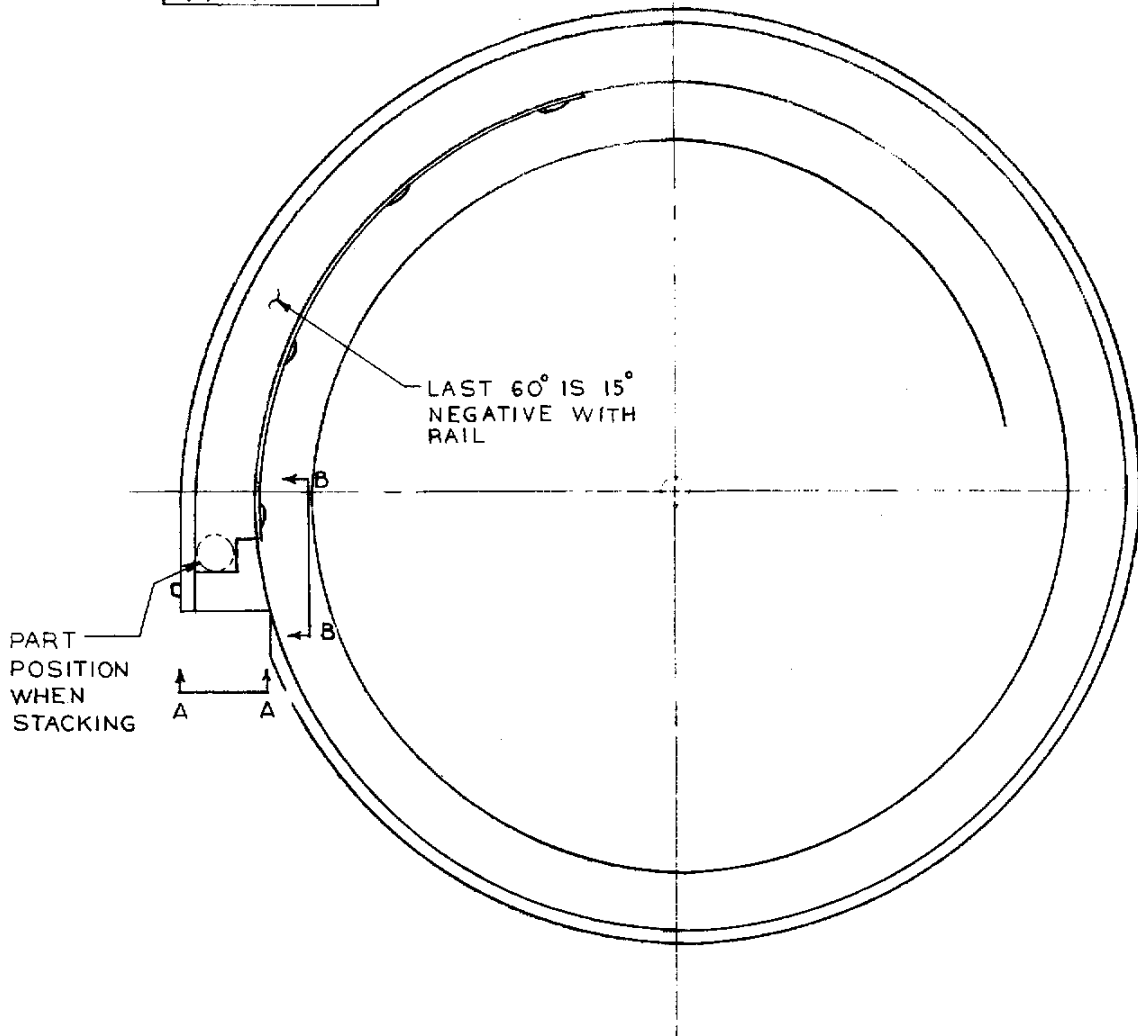


VIEW A ~ A

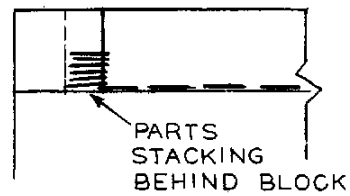


SECTION B ~ B

VIBRATORY FEEDER CO. AUTOMATION PARK, BOX AD FAIRVIEW, PA. 16415 PHONE 814/474-3561		CASE NO. 30	
DWN. R.L.L. DATE 6/5/56 CHK'D W DATE 6-7-56 REVISED 4-21-58 W	SCALE  SK NO. 2033	STACKING DISCS TO A HEIGHT	PART FED

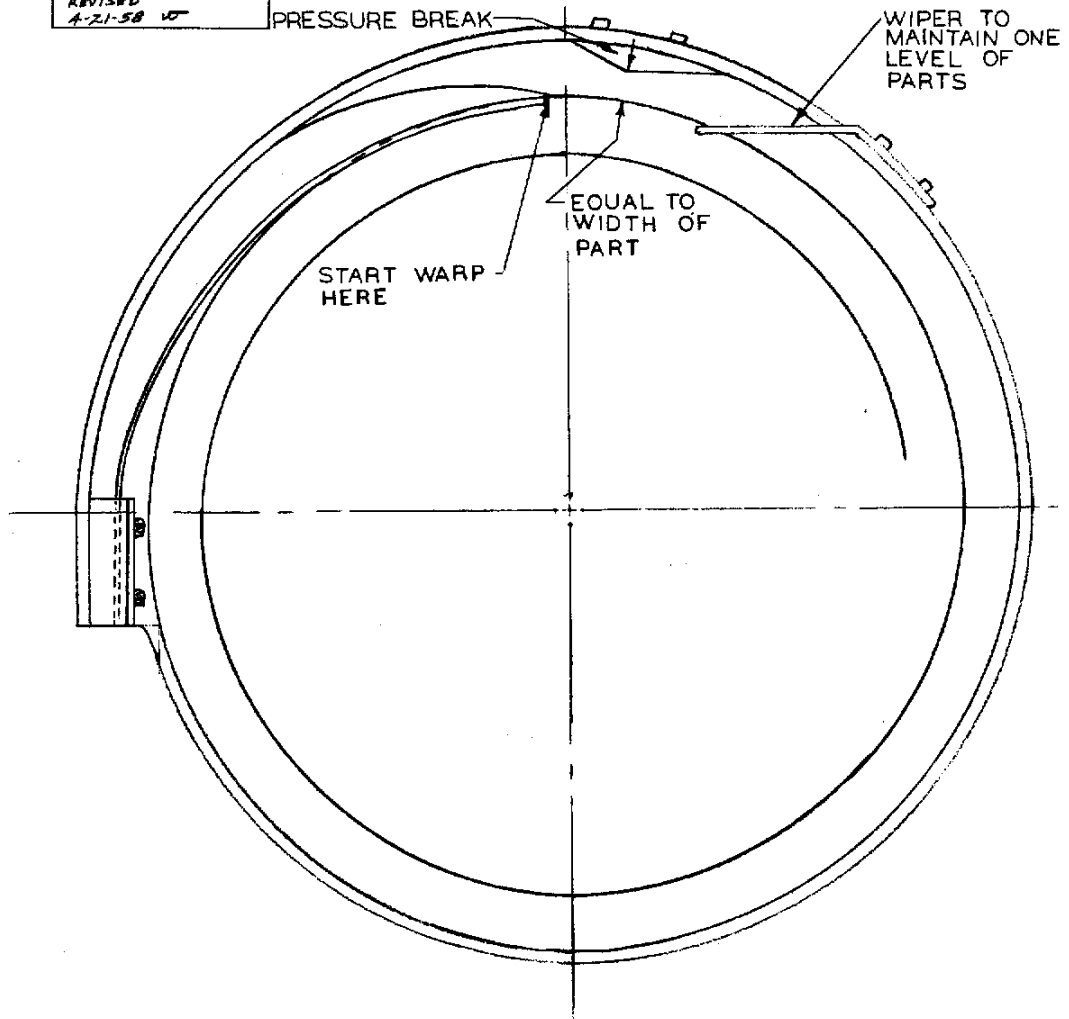


VIEW A~A



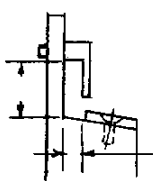
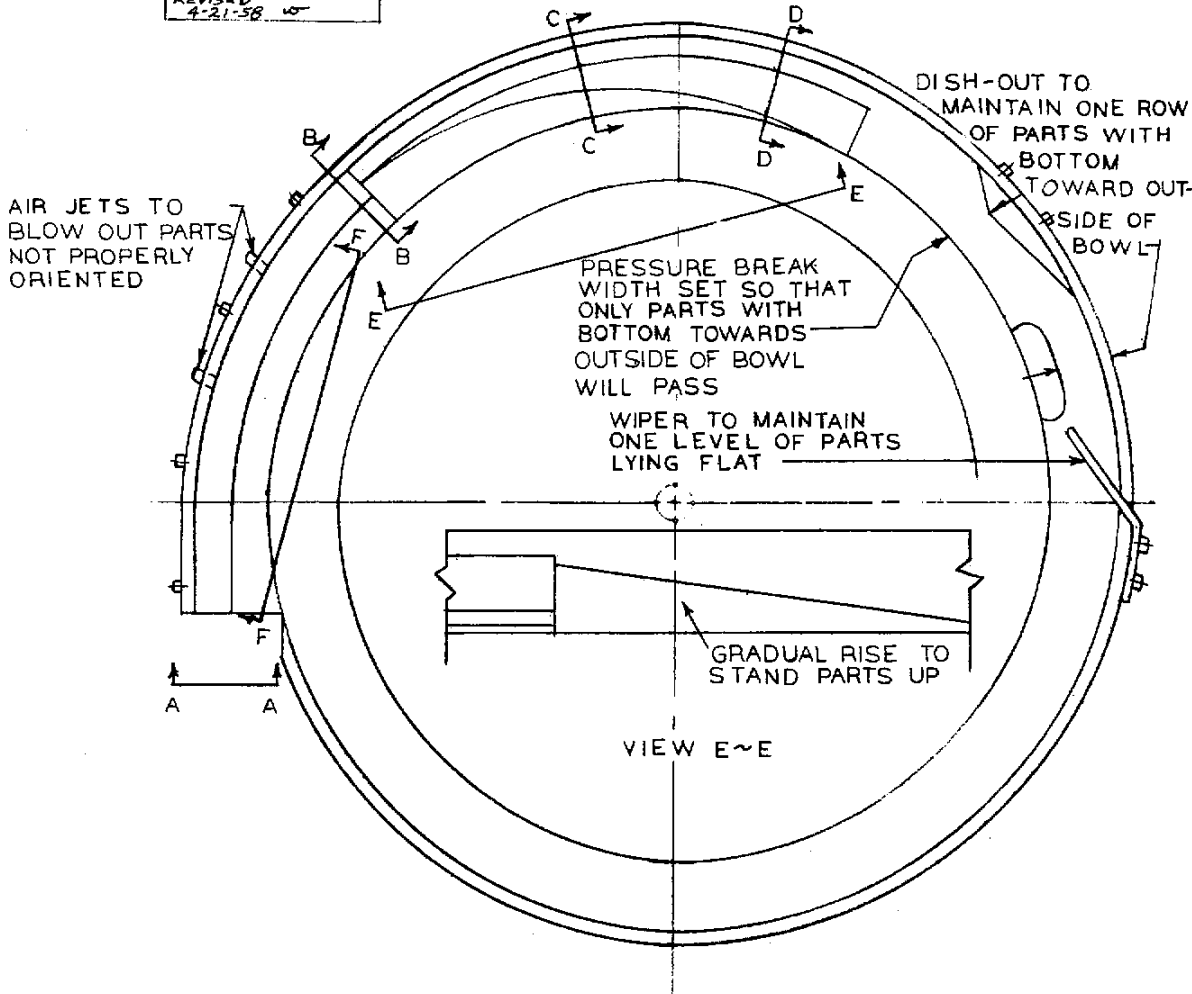
VIEW B~B

VIBRATORY FEEDER CO. AUTOMATION PARK, BOX AD FAIRVIEW, PA. 16415 PHONE 814/474-5561		CASE NO 31	
DWN R.L.L. DATE 6/7/56 CHKD ✓ DATE 4-21-58 REVISED 4-21-58 ✓	SCALE ~~~~~ SK NO 2034	ORIENTING BY CENTER OF GRAVITY	

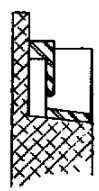


ANGLE OF PROJECTION SHOULD BE SUCH THAT PARTS NOT PROPERLY ORIENTED WILL FALL OFF BEFORE REACHING HOLDOWN

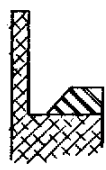
VIBRATORY FEEDER CO AUTOMATION PARK, BOX AD FAIRVIEW, PA. 16415 PHONE 814/474-5561		CASE NO 32	
DWN R.L.L. DATE 6-14-56 CHK'D ✓ DATE 6-22-56 REVISED 4-21-58 ✓	SCALE ~ SK. NO 2035	IRREGULAR FLAT PART	PART FED



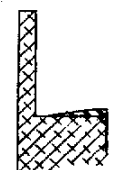
VIEW A~A



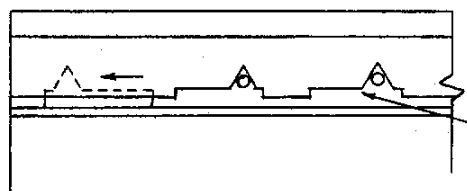
SECTION B~B



SECTION C~C



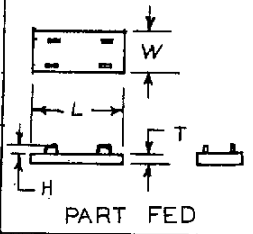

SECTION D~D

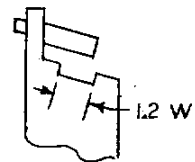
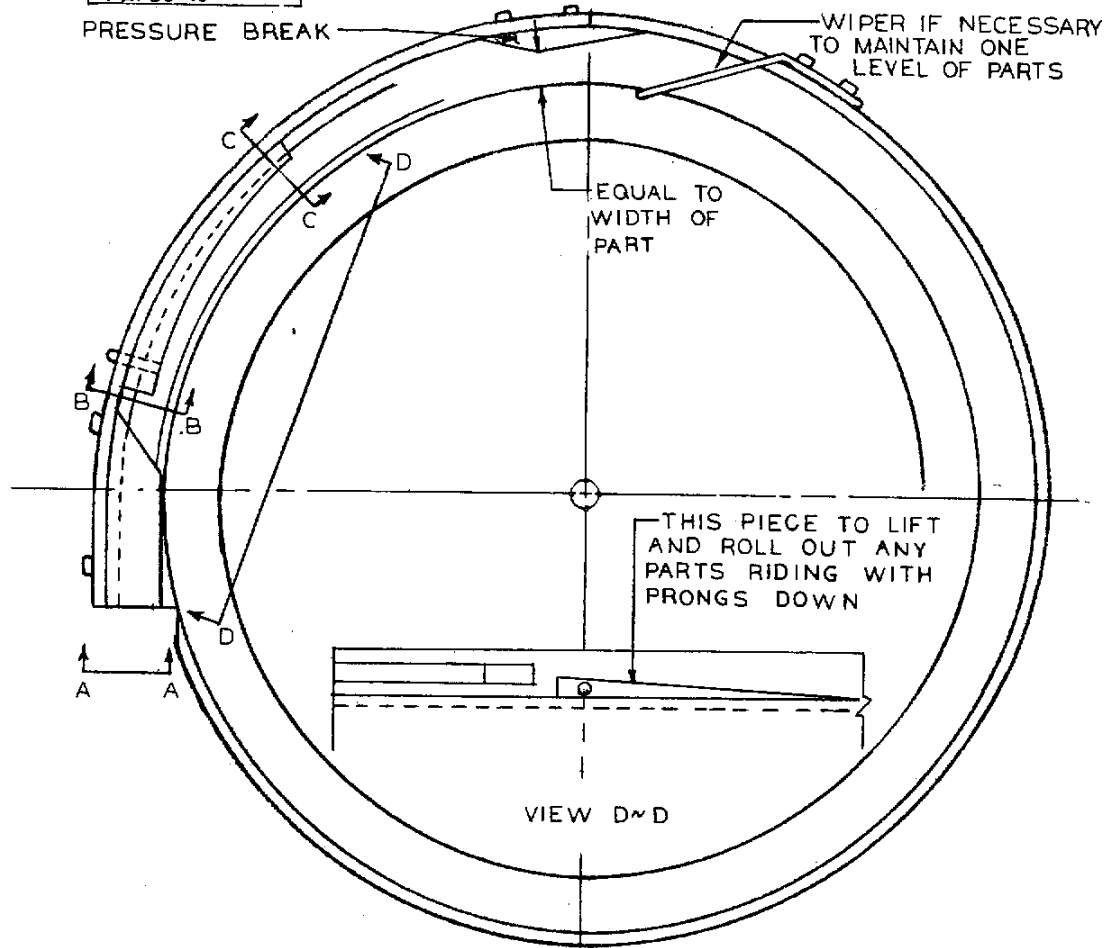


VIEW F~F

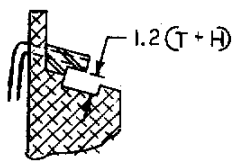
SILHOUETTE FORM
 SLIGHTLY LARGER THAN
 PART SIZE TO ALLOW
 AIR TO REJECT PARTS
 NOT PROPERLY ORIENTED

© 1966 BY VIBRATORY FEEDER CO.
 A DIVISION OF
 AUTOMATION DEVICES, INC.

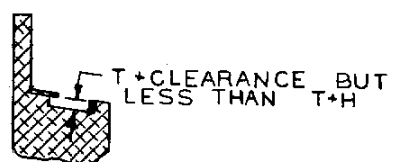
VIBRATORY FEEDER CO. AUTOMATION PARK, BOX AD FAIRVIEW, PA, 16415 PHONE 814/474-5561		CASE NO 33	
DWN DATE 6-11-56 CHKD DATE 6-23-56 REVISED 4-21-58 WJ	R.L.L. SCALE  SK NO 2036	PARTS WITH PRONGS OR TABS	PART FED



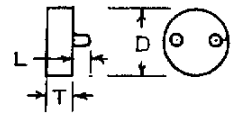
VIEW A~A

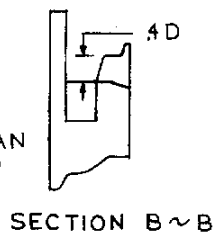
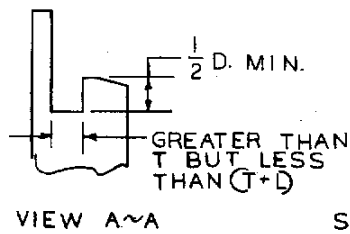
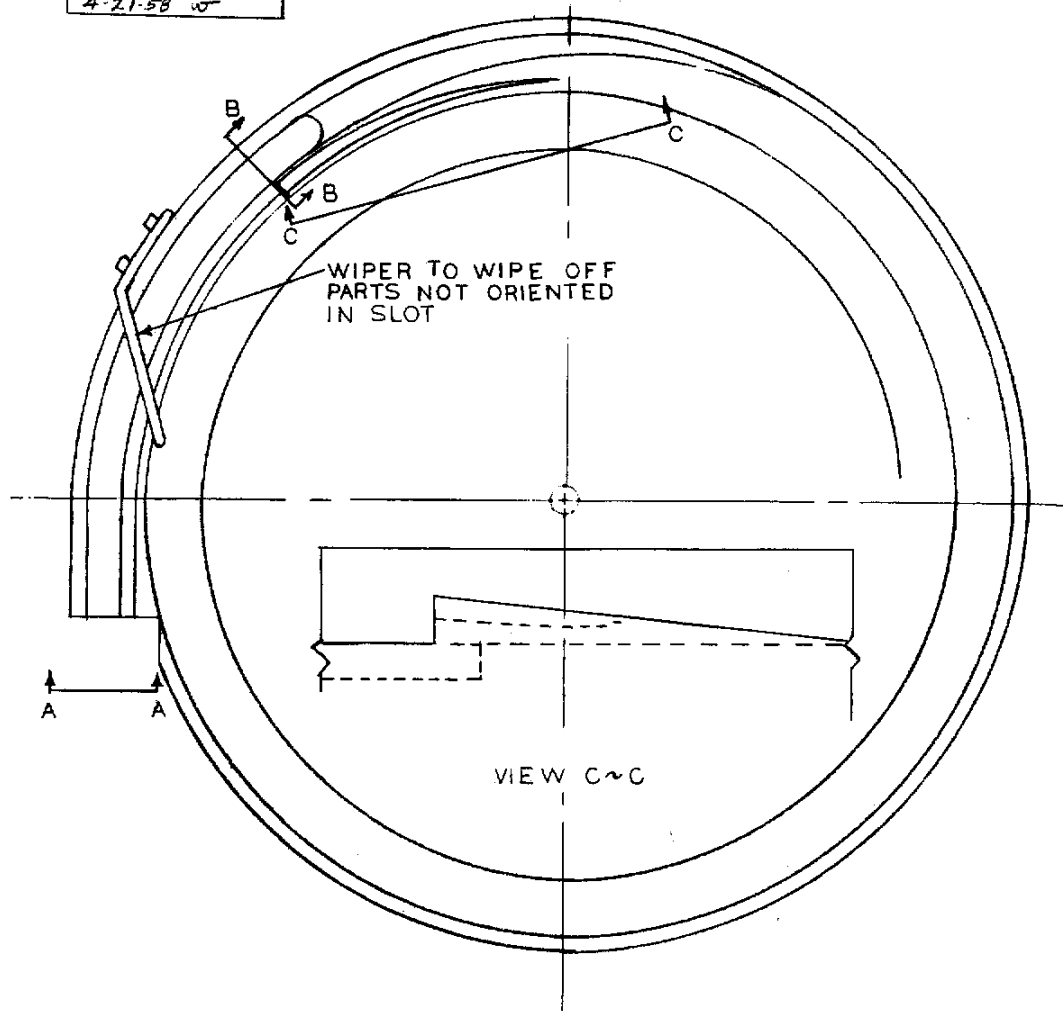


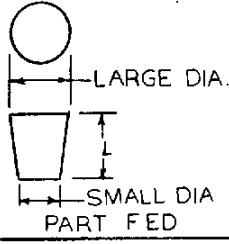

SECTION B~B

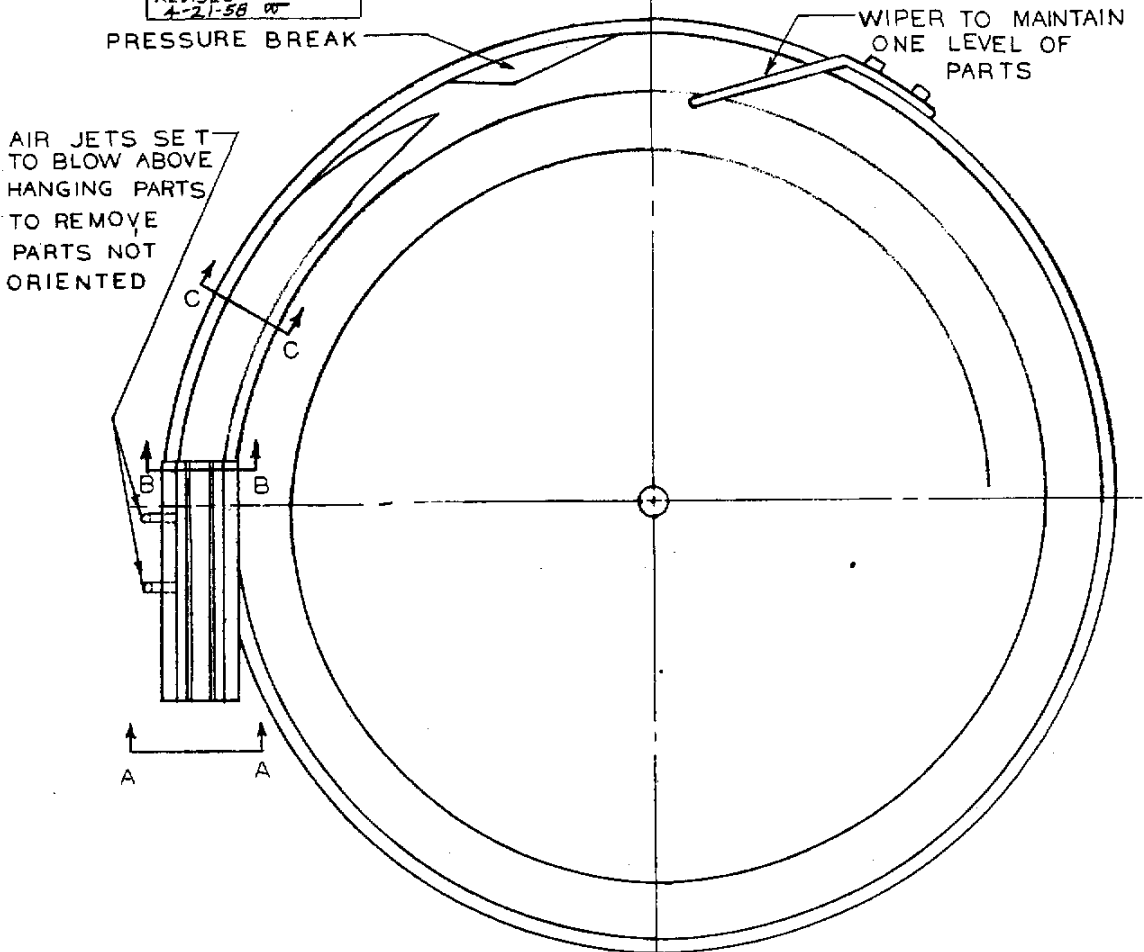


SECTION C~C

VIBRATORY FEEDER CO. AUTOMATION PARK, BOX AD FAIRVIEW, PA. 16415 PHONE 814/474-5561		CASE NO 34	
DWN DATE 6-11-56 CHKD ✓ DATE 6-23-56 REVISED 4-21-58 ✓	R.L.L. 6-11-56	SCALE ~ SK NO 2037	PARTS WITH PROJECTING PINS PART FED



VIBRATORY FEEDER CO. AUTOMATION PARK, BOX AD FAIRVIEW, PA. 16415 PHONE 814/474-5561		CASE NO 35	
DWN. DATE 6-12-56 CHK'D DATE 6-23-56	R.L.L. 6-12-56 W 6-23-56 REVISED 1-21-58 W	SCALE  SK NO 2038	CONE OR A FRUSTUM OF A CONE



AIR JETS SET TO BLOW ABOVE HANGING PARTS TO REMOVE PARTS NOT ORIENTED

WIPER TO MAINTAIN ONE LEVEL OF PARTS

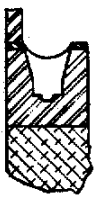
PRESSURE BREAK

A A

WIDTH AT TOP OF TAPER DETERMINED BY DIA OF PART-DIA TAKEN BETWEEN LARGE DIA & CENTER OF GRAVITY

DEPTH TO BE SUCH THAT PART WILL RIDE ON BOTTOM OF SLOT WHEN HANGING - PREVENTS LOCKING TAPER


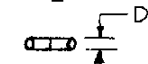
RADIUS IN BOTTOM OF SLOT TO ALLOW PARTS TO SWING TO A VERTICAL HANGING POSITION

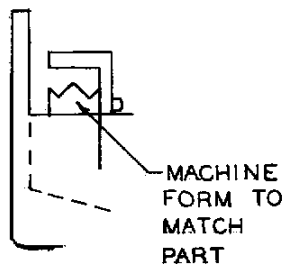
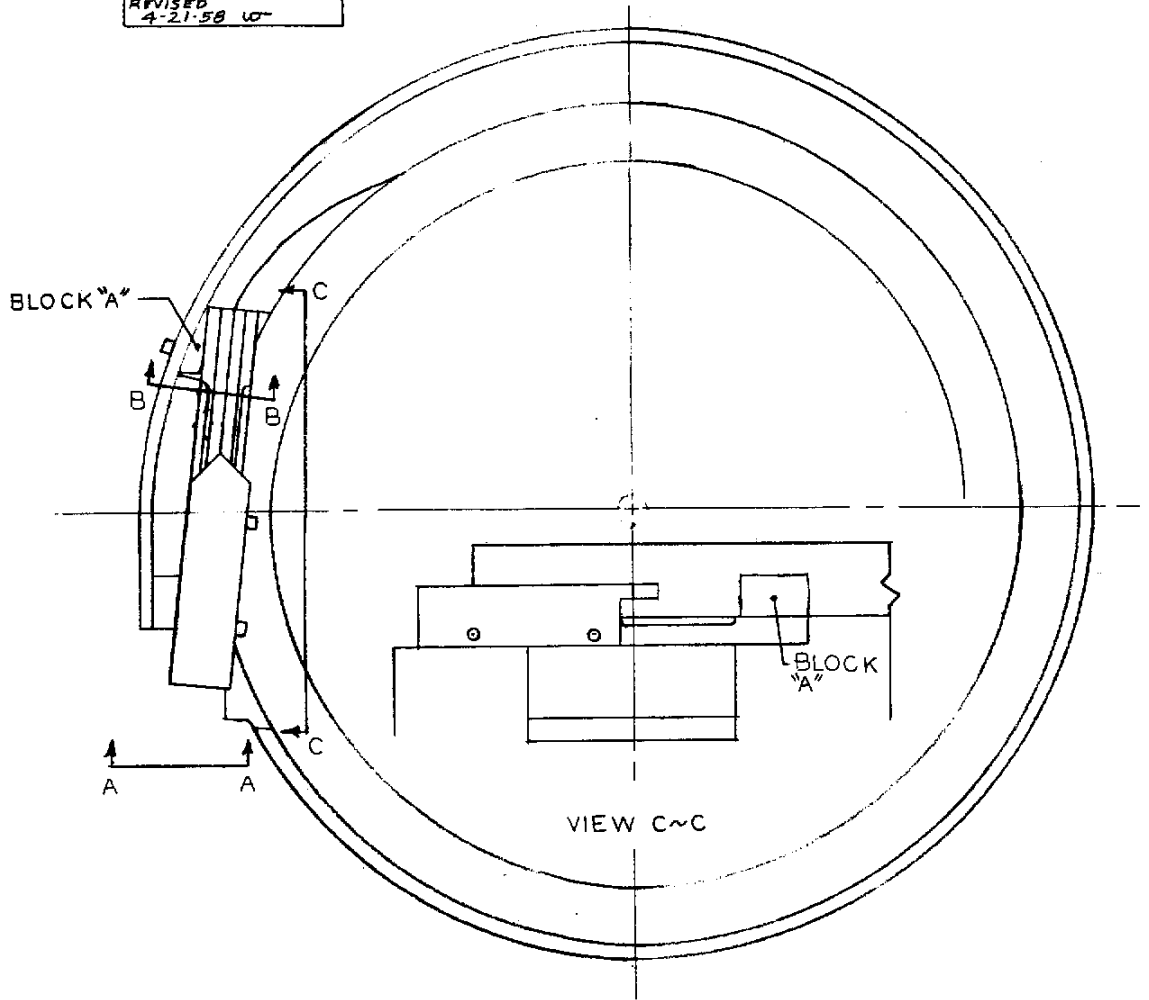


SECTION C~C

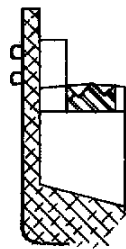
VIEW A~A

SECTION B~B

VIBRATORY FEEDER CO. AUTOMATION PARK, BOX AD FAIRVIEW, PA. 16415 PHONE 814/474-5561		CASE NO. 36	  PART FED
DWN. R.L.L. DATE 6-13-56 CHKD. W DATE 6-23-56 REVISED 4-21-58 W	SCALE ~ SK. NO. 2039	ELBOWS	



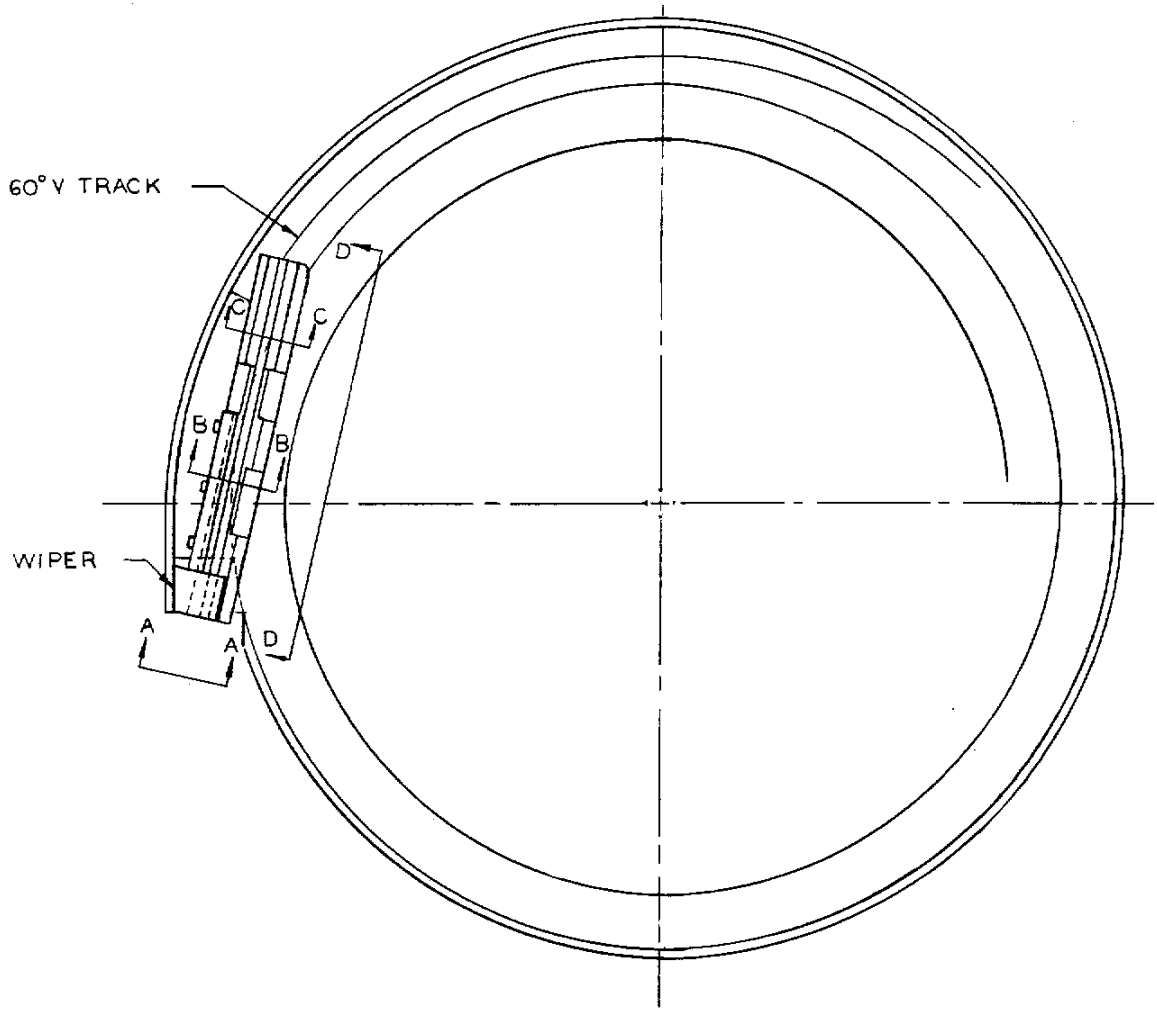
VIEW A~A



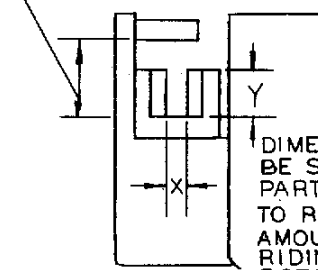
SECTION B~B

NOTE: BLOCK "A" TO CHANGE DIRECTION OF FLOW / DIVERT PARTS ONTO RAIL

VIBRATORY FEEDER CO. AUTOMATION PARK, BOX AD FAIRVIEW, PA. 16415 PHONE 814/474-5561		CASE NO 37	
DWN DATE CHKD DATE	J.P.R. 1-31-57 W 5-2-58	SCALE \sim SK NO 2040	LOCK WASHERS MUST BE NON- INTERLOCKING TYPE PART FED

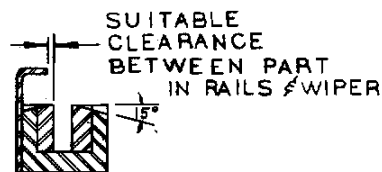


1.2 TIMES DIA OF PART



VIEW A~A

DIMENSION X & Y MUST BE SUCH THAT THE PART WILL BE FREE TO ROTATE A SLIGHT AMOUNT DUE TO ITS RIDING ON THE BOTTOM. THIS WILL PREVENT JAMMING

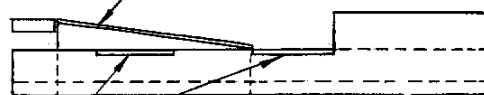


SECTION B~B



SECTION C~C

SLOPING WIPER TO RISE UP ONE SIDE OF PART THAT IS LYING FLAT SO IT WILL DROP OFF

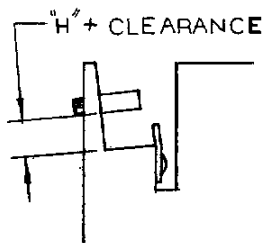
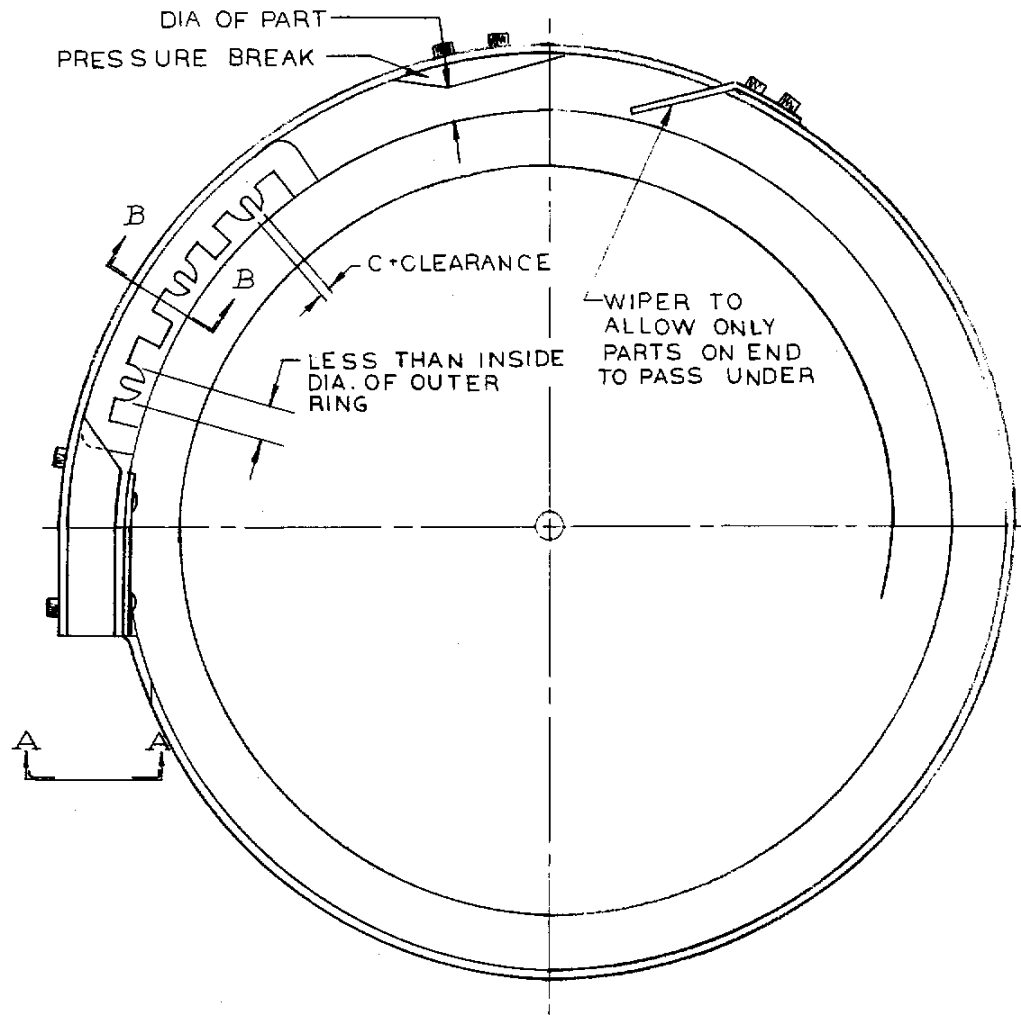


VIEW D~D

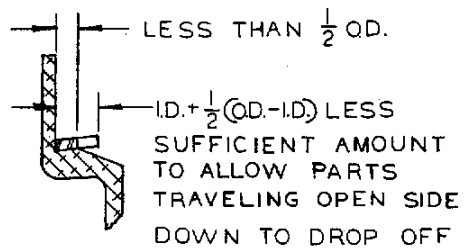
2 15° NEG SPILLOFFS

©1966 BY VIBRATORY FEEDER CO.
 A DIVISION OF
 AUTOMATION DEVICES, INC.

VIBRATORY FEEDER COMPANY AUTOMATION PARK, BOX A D FAIRVIEW, PA. 16415 PHONE 814/474-5561		CASE NO 38	
DWN DATE 9-17-57 CHKD DATE 5-2-58	J.P.R. W	SCALE ~ SK NO 2041	PARTS HAVING A GROOVE ON ONE FACE

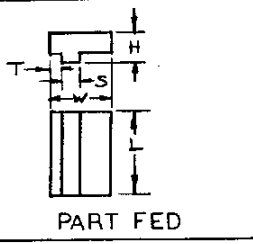


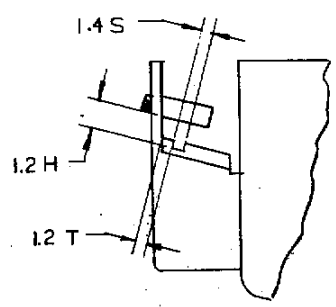
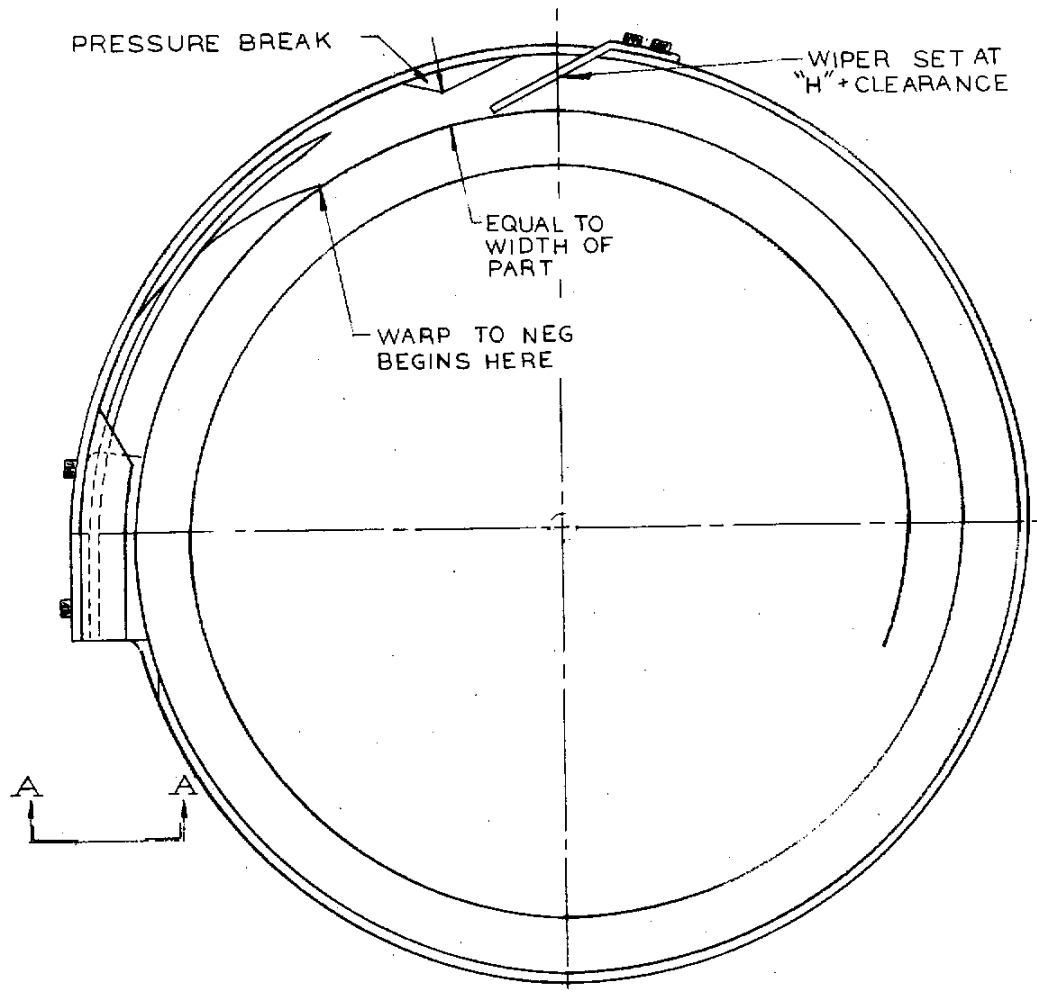
VIEW A~A



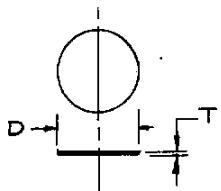
SECTION B~B

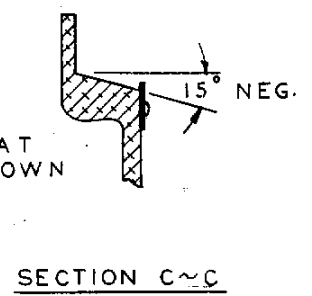
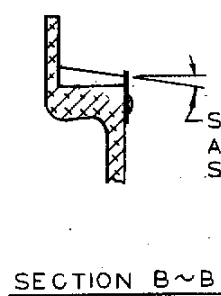
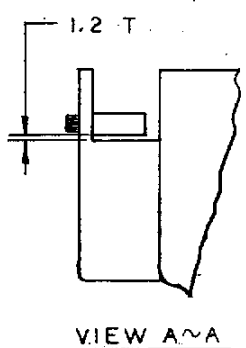
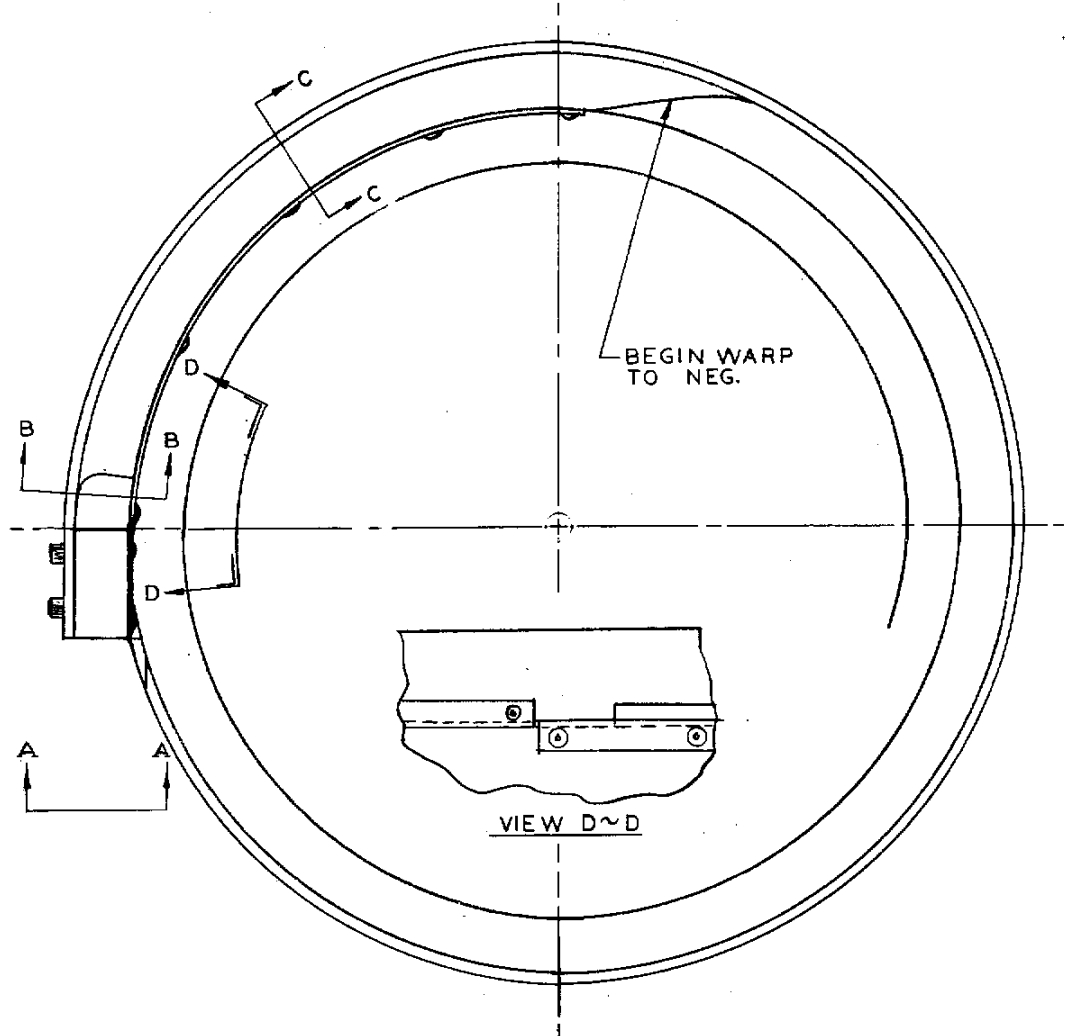
©1966 BY VIBRATORY FEEDER CO.
 A DIVISION OF
 AUTOMATION DEVICES, INC.

VIBRATORY FEEDER COMPANY AUTOMATION PARK, BOX AD FAIRVIEW, PA. 16415 PHONE 814/474-5561		CASE NO 39	
DWN J.P.R. DATE 9-17-57 CHKD W DATE 5-2-58	SCALE \sim SK NO 2042	PART HAVING AN OFF-SET KEY ON ONE SIDE	



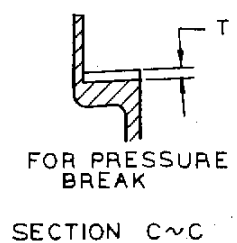
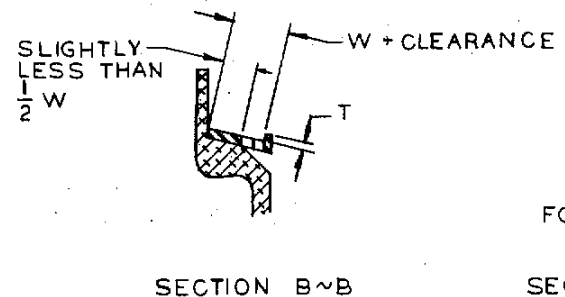
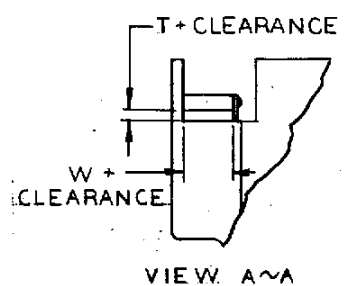
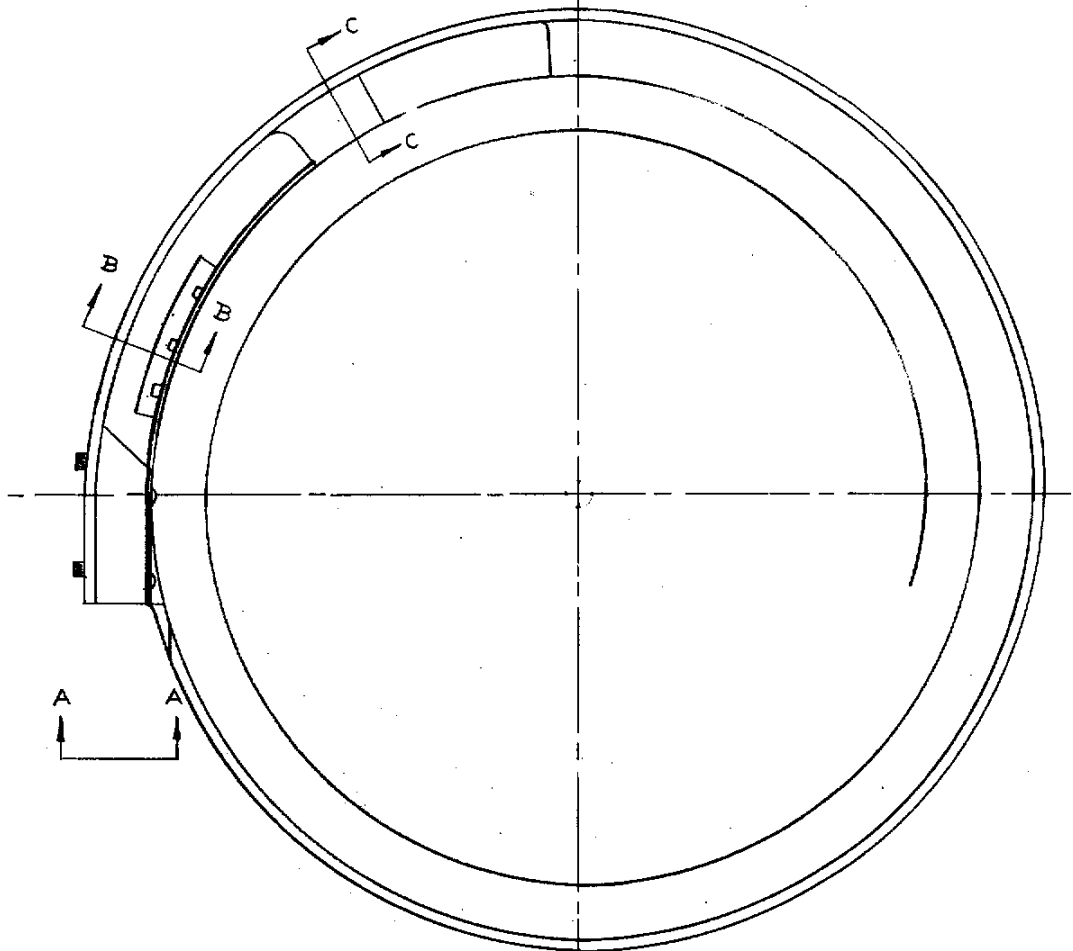
VIEW A-A

VIBRATORY FEEDER COMPANY AUTOMATION PARK, BOX AD FAIRVIEW, PA. 16415 PHONE 814/474-5561		CASE NO 40	
DWN J.P.R. DATE 9-17-57 CHKD DATE 5-2-58	SCALE ~ SK NO 2043	VERY THIN DISCS FLAT WASHERS	PART FED



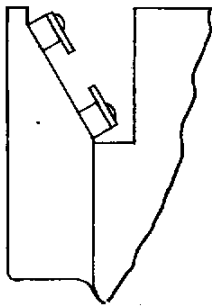
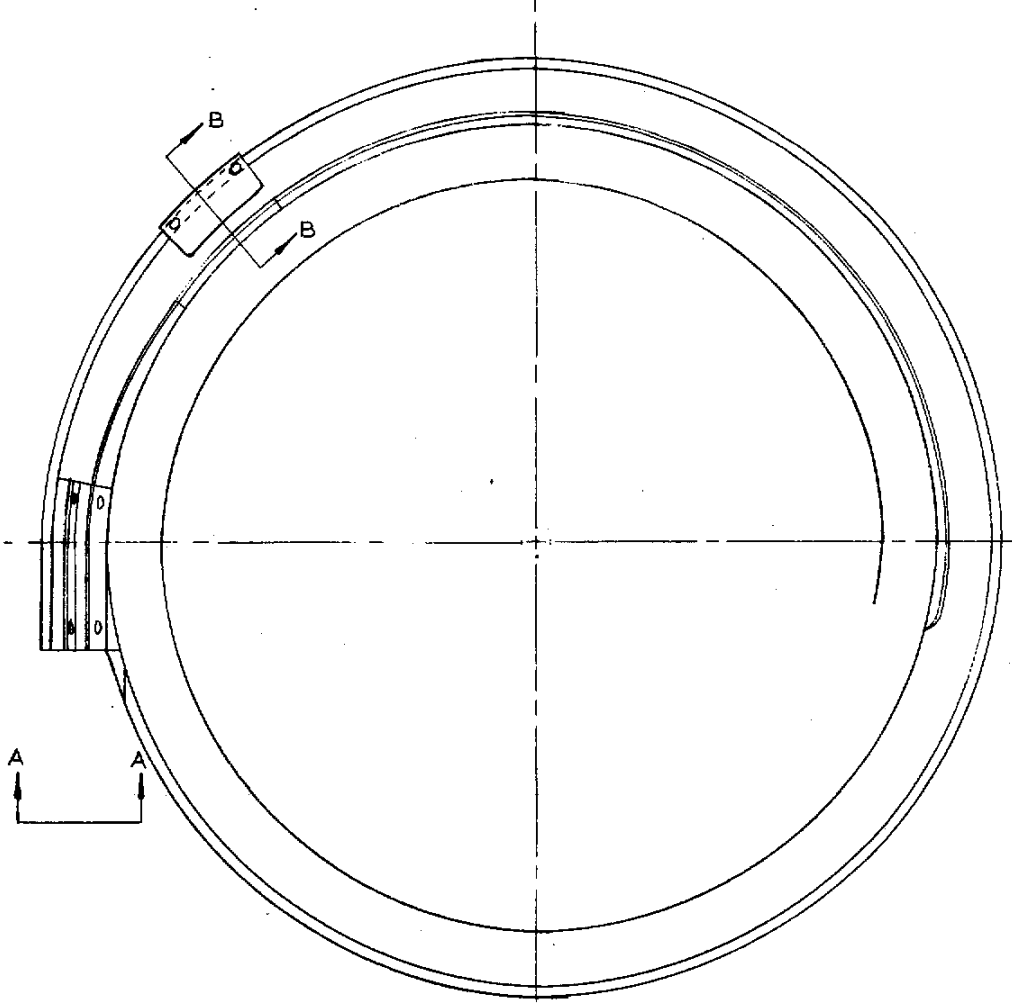
©1966 BY VIBRATORY FEEDER CO.
 A DIVISION OF
 AUTOMATION DEVICES, INC.

VIBRATORY FEEDER COMPANY AUTOMATION PARK, BOX AD FAIRVIEW, PA. 16415 PHONE 814/474-5561		CASE NO 41	
DWN JPR DATE 9-17-57 CHK'D W DATE 5-2-58	SCALE \sim SK NO 2044	"U" SHAPED PART. LENGTH GREATER THAN WIDTH	

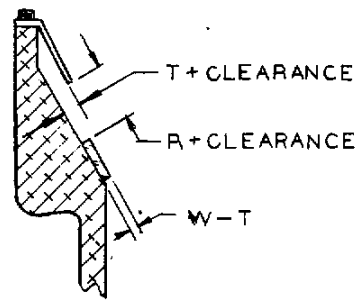


©1966 BY VIBRATORY FEEDER CO.
 A DIVISION OF
 AUTOMATION DEVICES, INC.

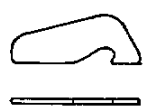
VIBRATORY FEEDER COMPANY AUTOMATION PARK, BOX AD FAIRVIEW, PA. 16415 PHONE 814/474-5561		CASE NO. 42	
DWN DATE 9-18-57 CHK'D DATE 5-2-58	JPR 9-18-57 W	SCALE ~ SK. NO. 2045	SQUARE PART WITH PROJECTION ON ONE FACE PART FED

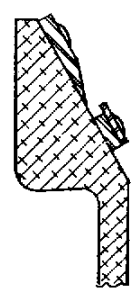
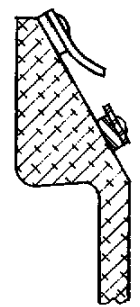
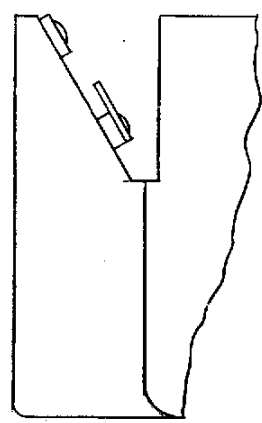
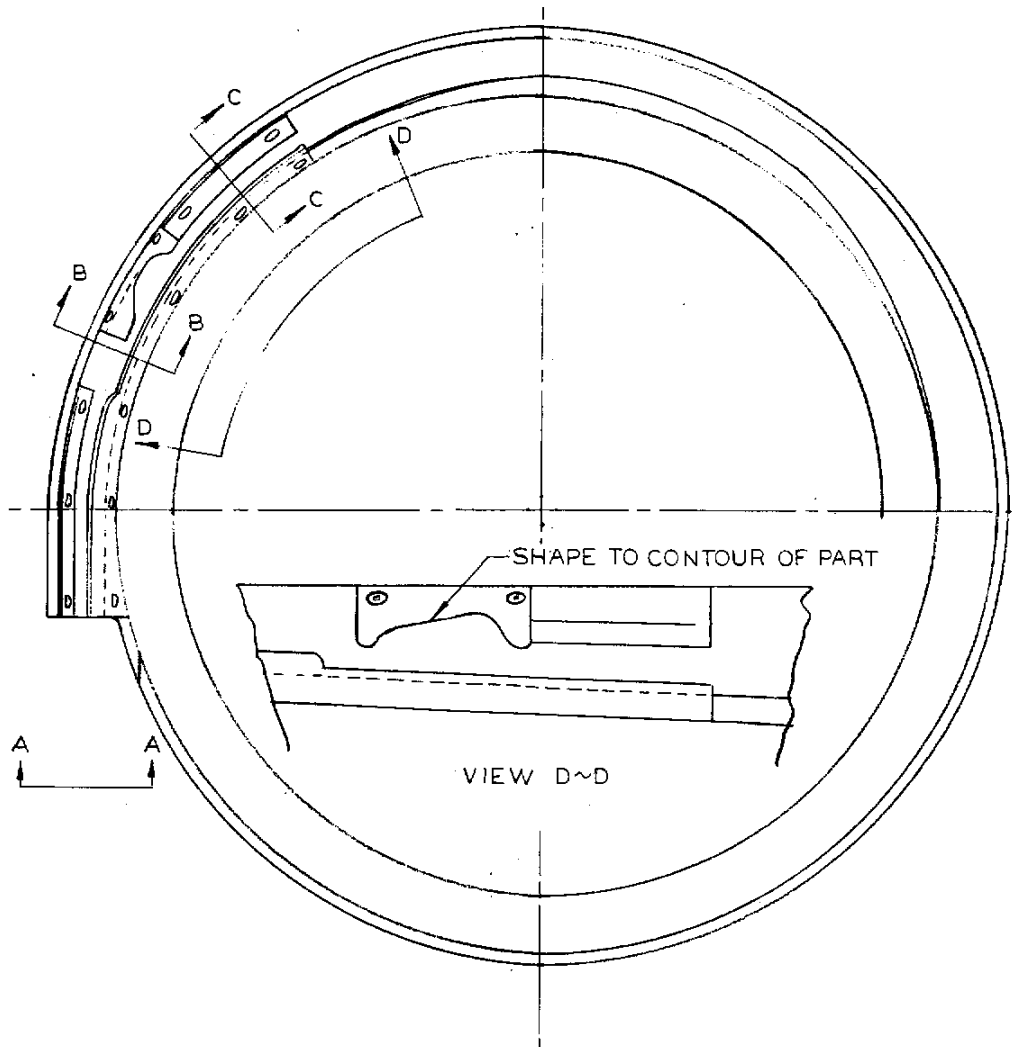


VIEW A~A

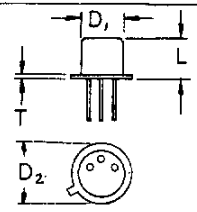


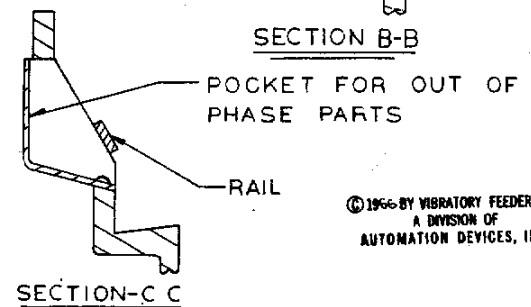
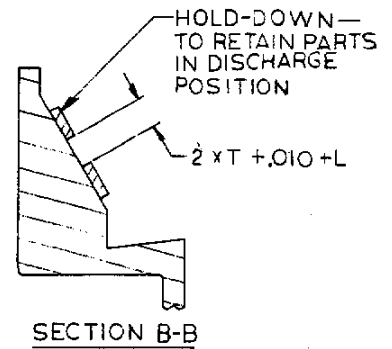
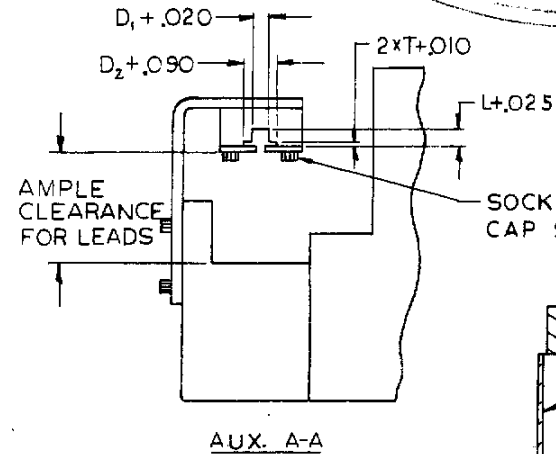
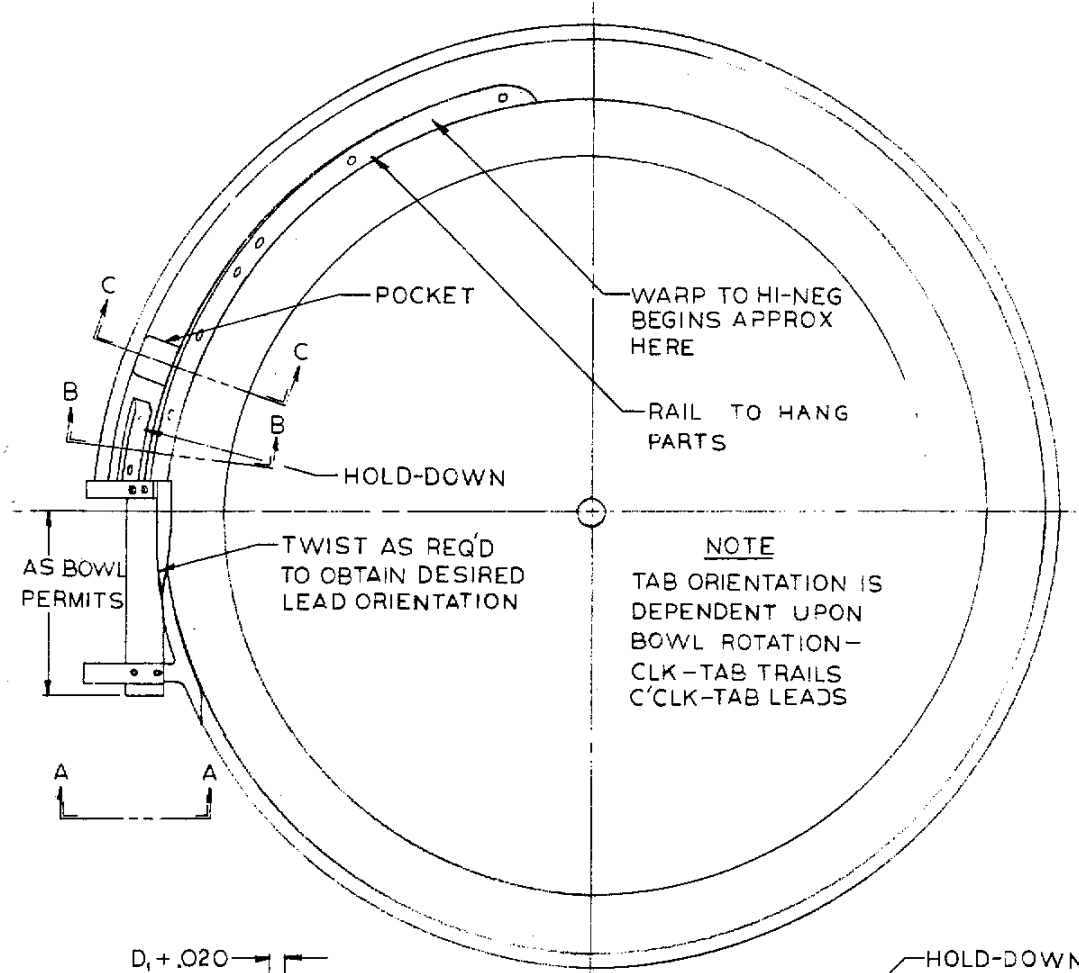
SECTION B~B

VIBRATORY FEEDER COMPANY AUTOMATION PARK, BOX AD FAIRVIEW, PA. 16415 PHONE 814/474-5561		CASE NO. 43	
DWN JPR DATE 9-18-57 CHK'D WT DATE 5-2-58	SCALE \sim SK. NO. 2046	IRREGULAR SHAPED PART	PART FED \sim





©1966 BY VIBRATORY FEEDER CO.
 A DIVISION OF
 AUTOMATION DEVICES, INC.

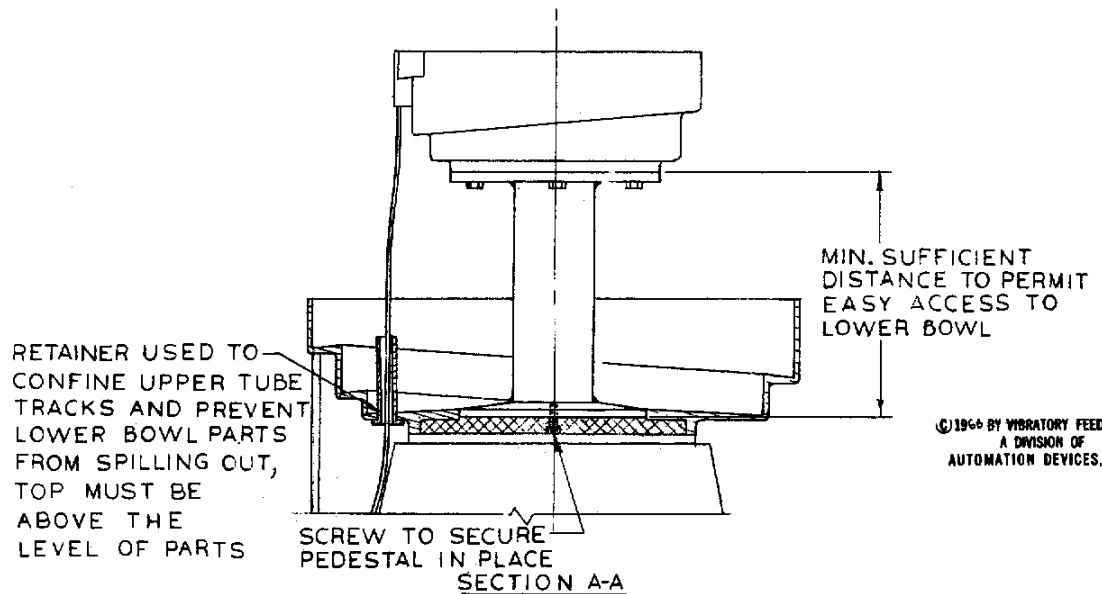
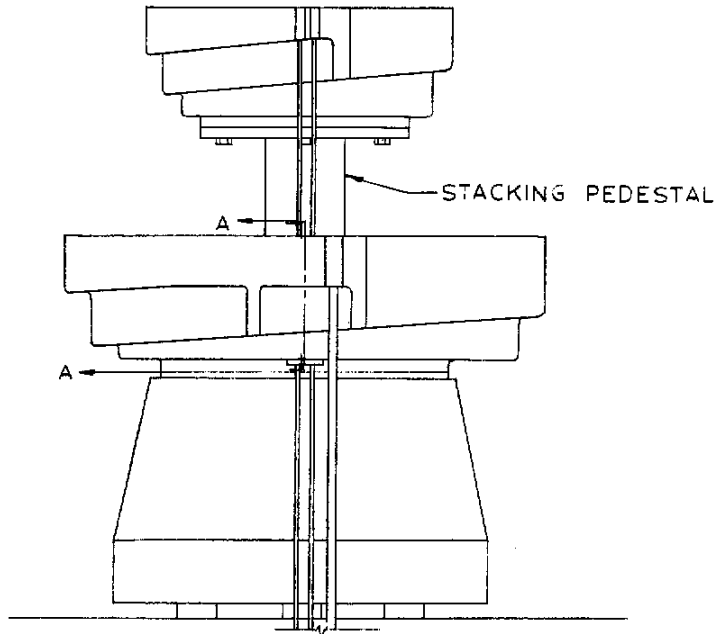
VIBRATORY FEEDER COMPANY AUTOMATION PARK, BOX AD FAIRVIEW, PA. 16415 PHONE 814/474-5561		CASE NO. 44	
DWN <i>Rjm</i> DATE 12-7-65 CHK'D <i>ST</i> DATE 5-1-66	SCALE - ~ SK. NO. 2047	TRANSISTORS IN HI-NEG BOWL	PART FED



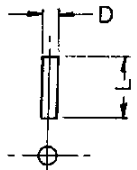
© 1966 BY VIBRATORY FEEDER CO.
 A DIVISION OF
 AUTOMATION DEVICES, INC.

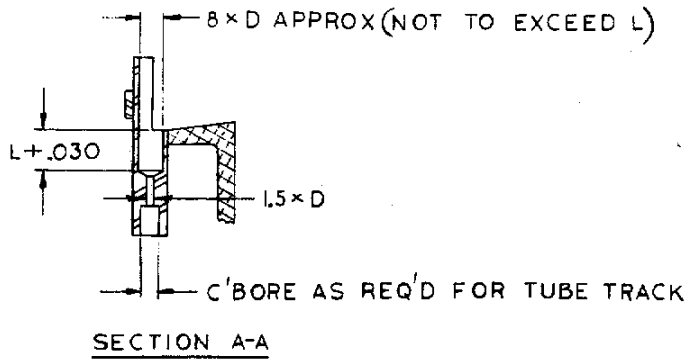
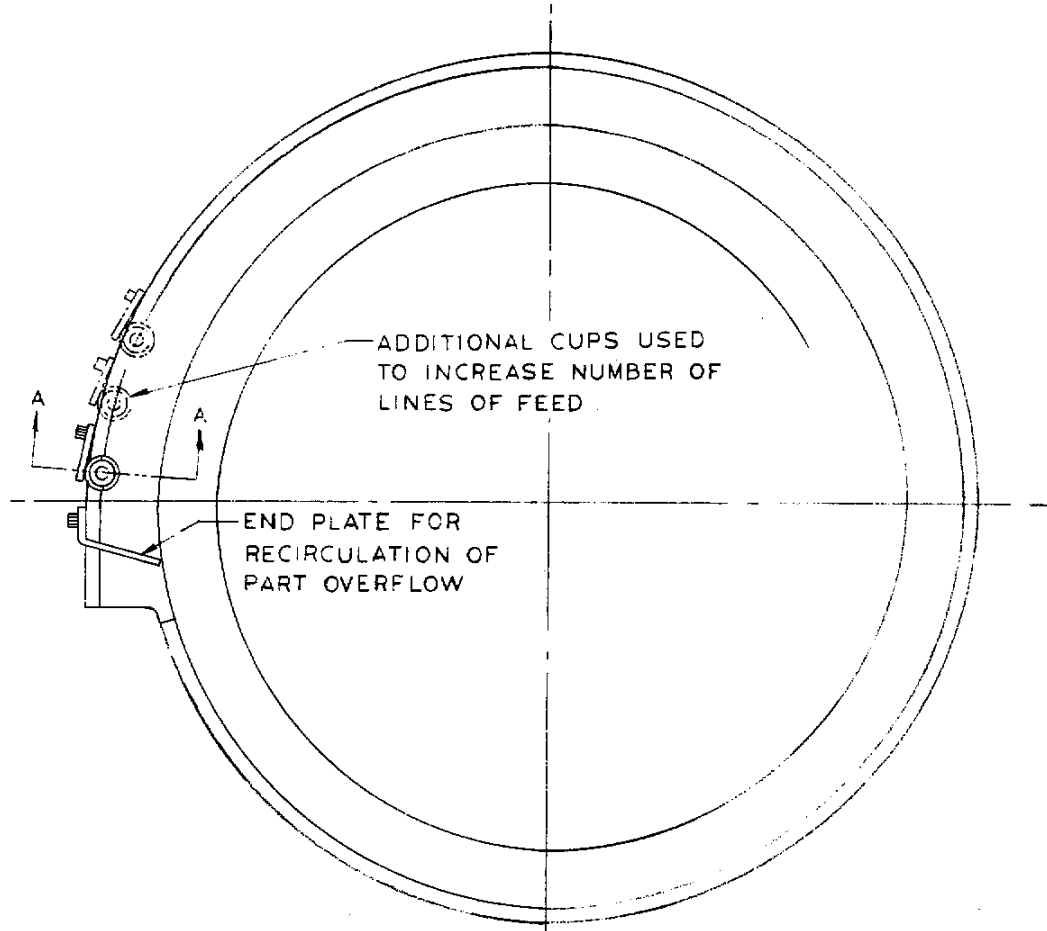
VIBRATORY FEEDER COMPANY AUTOMATION PARK, BOX AD FAIRVIEW, PA. 16415 PHONE 814/474-5561		CASE NO. 45	  PART FED
DWN <i>Rgm</i> DATE <i>5-18-66</i> CHKD <i>or</i> DATE <i>5-1-66</i>	SCALE — ~ SK. NO. 2053	STACKED BOWLS	

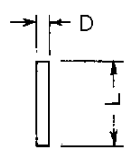
NOTE
 BOWLS ARE SHOWN USED IN
 CONJUNCTION WITH PIN FEEDERS
 (CASE 46)—THIS APPLICATION ALSO
 IDEAL FOR OTHER CASES

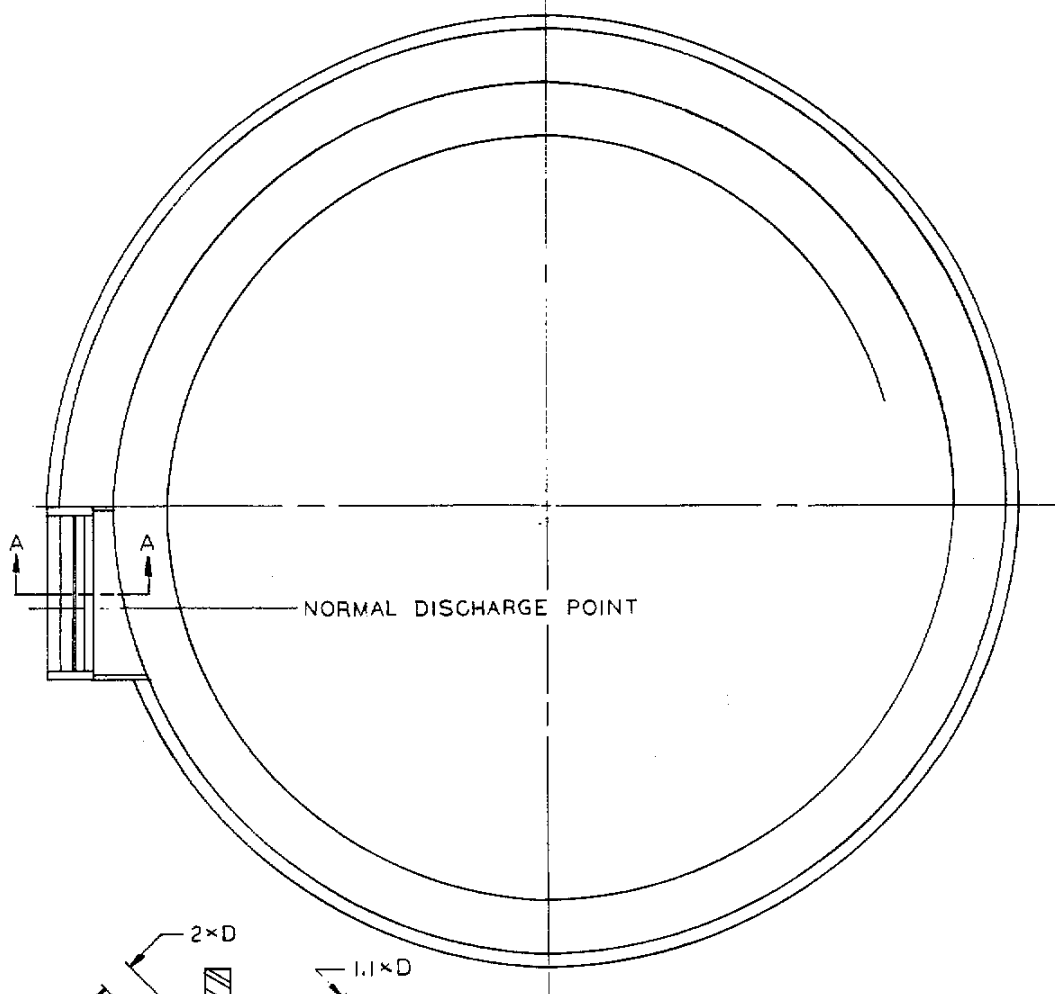


©1966 BY VIBRATORY FEEDER CO.
 A DIVISION OF
 AUTOMATION DEVICES, INC.

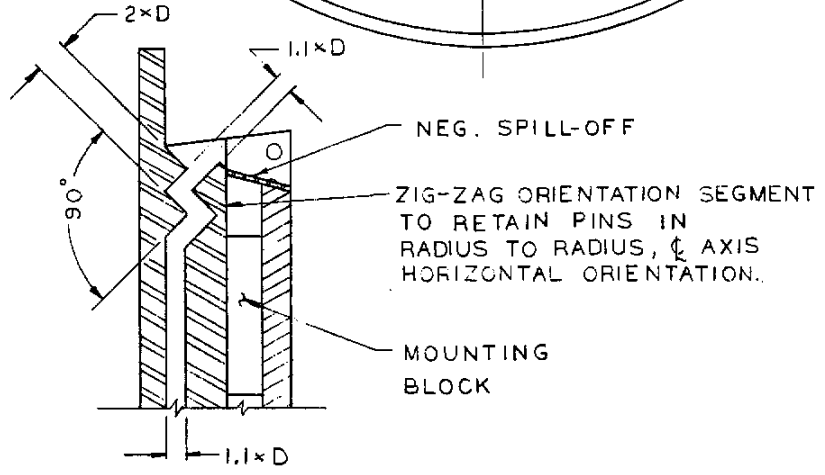
VIBRATORY FEEDER COMPANY AUTOMATION PARK, BOX AD FAIRVIEW, PA. 16415 PHONE 814/474-5561		CASE NO. 46	
DWN DATE <i>Rgm</i> 7-8-66 CHK'D DATE 9-8-66	SCALE - ~ SK. NO. 2049	PIN-LENGTH GREATER THAN DIAMETER	PART FED



VIBRATORY FEEDER COMPANY AUTOMATION PARK, BOX AD FAIRVIEW, PA. 16415 PHONE 814/474-5561		CASE NO. 47	
DWN <i>RMS</i> DATE 4-27-66 CHK'D <i>[initials]</i> DATE 8-1-66	SCALE ~ SK. NO. 2050	PIN-MINIMUM LENGTH IS $3 \times$ DIAMETER	



NORMAL DISCHARGE POINT



NEG. SPILL-OFF
 ZIG-ZAG ORIENTATION SEGMENT
 TO RETAIN PINS IN
 RADIUS TO RADIUS, ϕ AXIS
 HORIZONTAL ORIENTATION.
 MOUNTING
 BLOCK

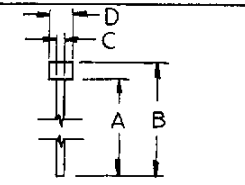
SECTION A-A
 (ENLARGED VIEW)

VIBRATORY FEEDER COMPANY

AUTOMATION PARK, BOX AD
 FAIRVIEW, PA. 16415
 PHONE 314/474-5561

CASE NO.

48

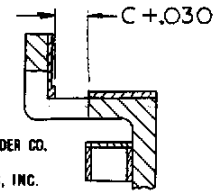
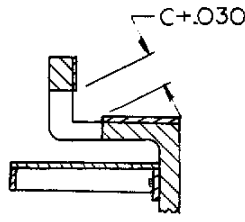
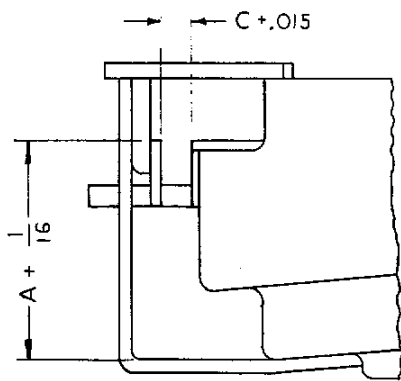
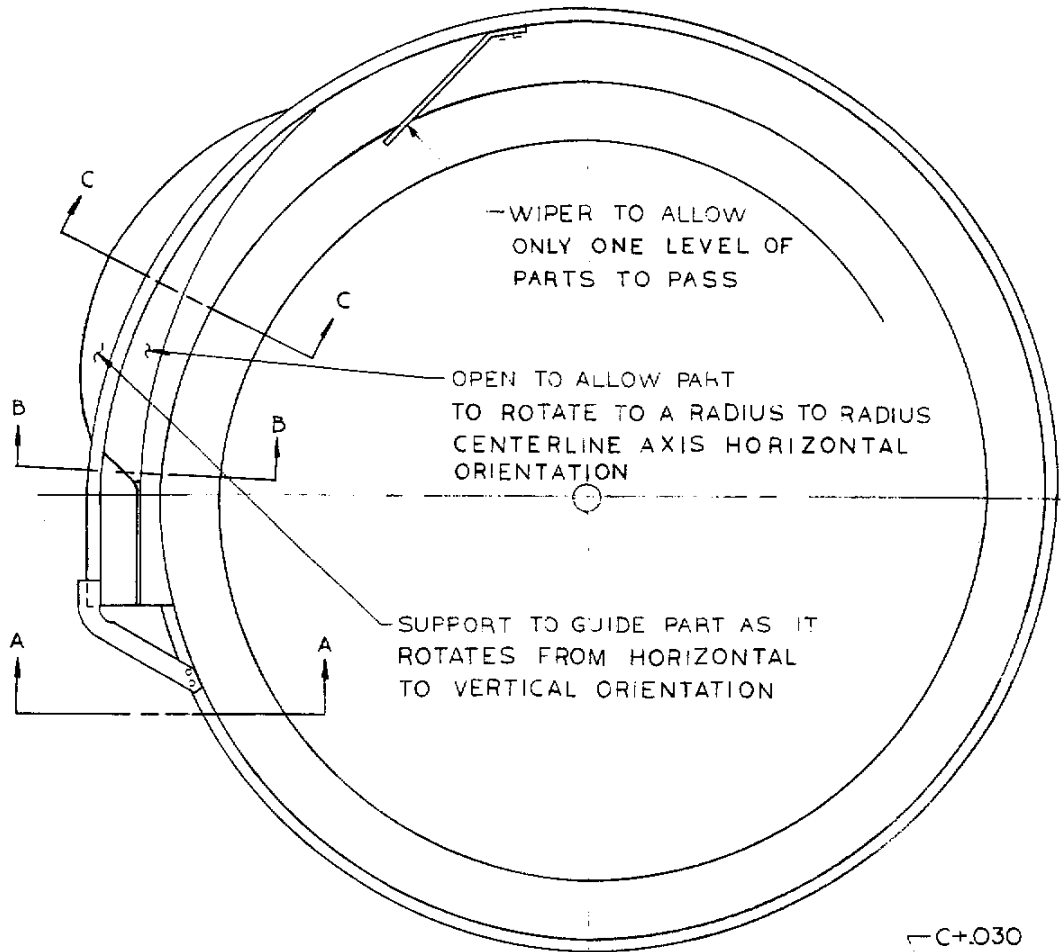


PART FED

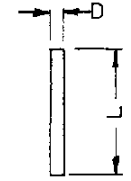
DWN. *D.W.F.*
 DATE 5-2-66
 CHK'D *[Signature]*
 DATE 8-1-66

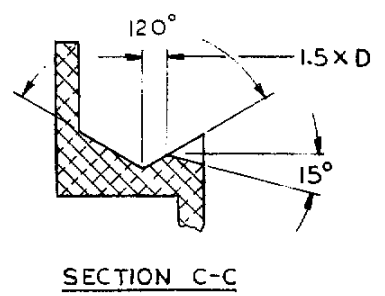
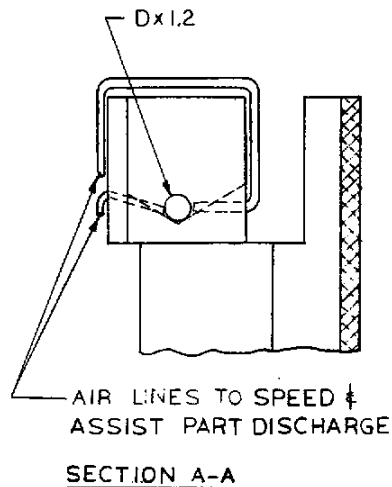
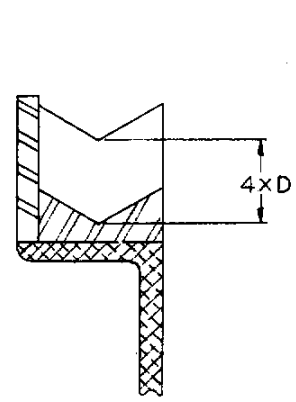
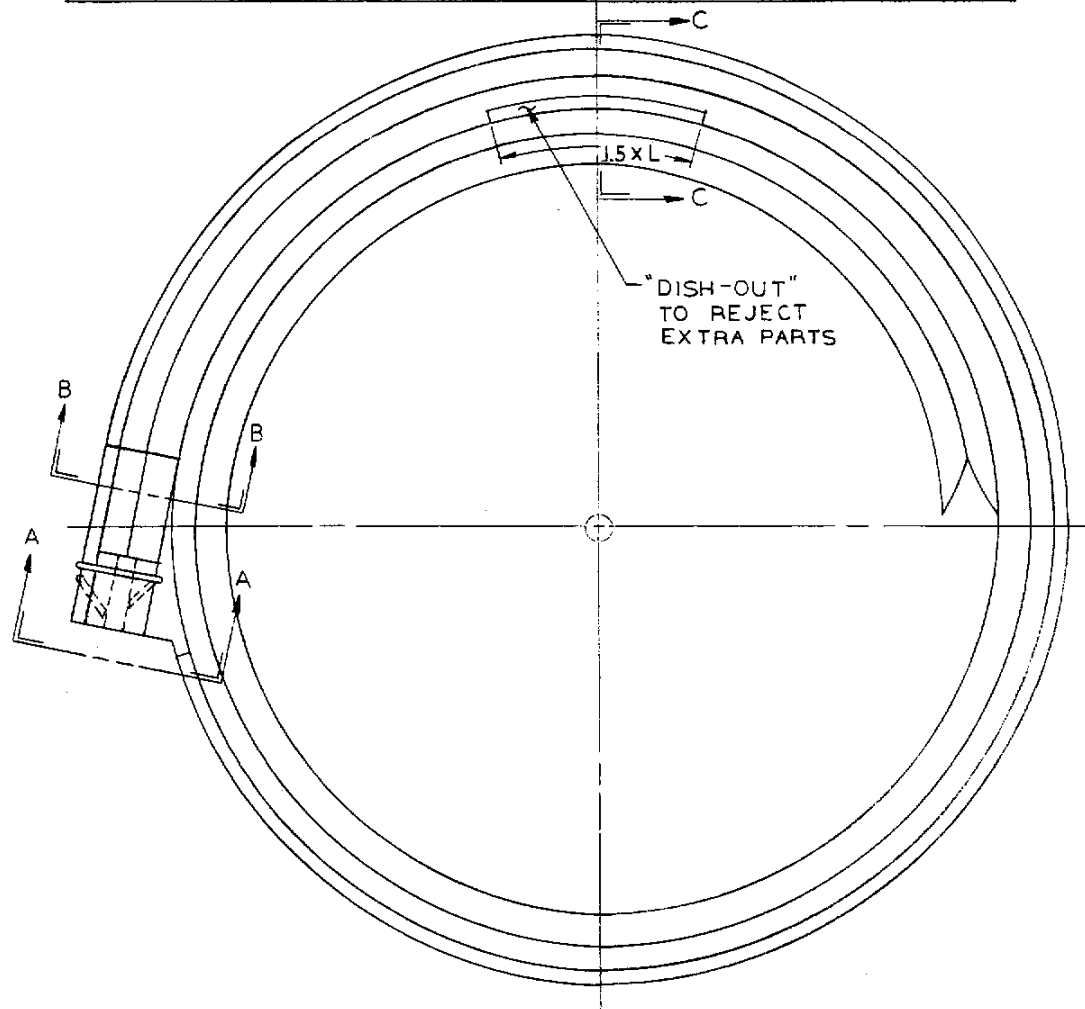
SCALE ~
 SK.NO.2051

HEADED PINS
 WITH EXTRA
 LONG BODIES

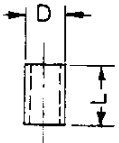
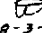


©1966 BY VIBRATORY FEEDER CO.
 A DIVISION OF
 AUTOMATION DEVICES, INC.

VIBRATORY FEEDER COMPANY AUTOMATION PARK, BOX AD FAIRVIEW, PA. 16415 PHONE 814/474-5561		CASE NO. 49	
DWN <i>R.M.S.</i> DATE 5-3-66 CHK'D <input checked="" type="checkbox"/> DATE 8-1-66	SCALE ~ SK. NO. 2052	PIN WITH LENGTH GREATER THAN DIAMETER	PART FED



© 1966 BY VIBRATORY FEEDER CO.
 A DIVISION OF
 AUTOMATION DEVICES, INC.

VIBRATORY FEEDER COMPANY AUTOMATION PARK, BOX AD FAIRVIEW, PA. 16415 PHONE 814/474-5561		CASE NO. 50	
DWN. V.M.I. DATE 8-2-66 CHK'D.  DATE 8-3-66	SCALE ~ SK. NO. 2053	CYLINDRICAL PART WITH LENGTH GREATER THAN DIAMETER	PART FED

